

# Replacement Ignitor Kit

## Installation Instructions

**IMPORTANT:** Read all instructions carefully before starting the installation.

### General

These instructions are primarily intended to assist qualified individuals experienced in the proper installation of heating appliances. Some local codes require licensed installation/service personnel for this type of equipment. This kit is designed for use on NORDYNE series G6 (and earlier models G3, G4, G5) and M2 furnaces.

### **⚠ WARNING:**

**Prior to installation, shut "OFF" all fuel and electrical power supplies to the furnace.**

### Installing the Kit

#### To Turn Off the Fuel Supply to the Furnace:

1. Set the thermostat to "OFF" or to its lowest setting.
2. Turn "OFF" all electrical power to the furnace.

3. Remove the furnace door.
4. For gas burners, push in the gas control lever and move to "OFF". DO NOT FORCE LEVER.

### Replacing the Ignitor

1. Follow the instructions "To Turn Off the Fuel Supply to the Furnace".
2. Disconnect the plug of the ignitor leads from the cap of the control board. Cut off the ignitor leads.
3. Remove the existing ignitor from the burner box by removing the fasteners that secure the ignitor bracket to the burner box. Keep the fasteners.
4. If the existing ignitor element is spiral in shape, then the adapter bracket supplied with the kit will be required to install the new ignitor. The adapter bracket has one elongated hole (used for all G6 and M2 models) and two bite holes, one of which is used to attach to ignitor bracket depending on the model series. See figures 1 and 2. Remove the existing ignitor from the ignitor bracket by removing the fasteners. Keep the fasteners. Keep the fasteners.

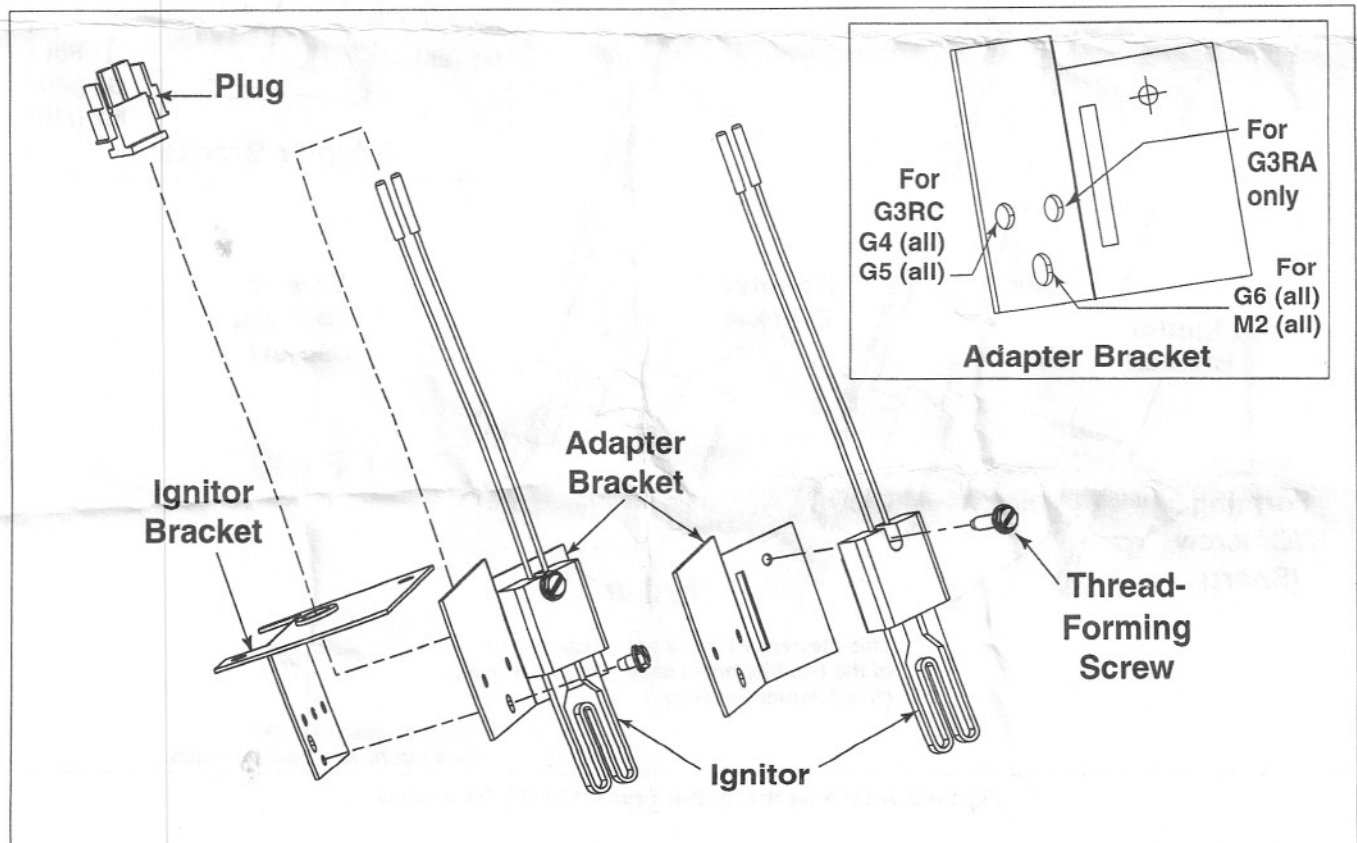


Figure 1. Attaching the Ignitor Bracket to all G6 and M2

5. If the ignitor element is "M" in shape, then remove the ignitor from the bracket by removing the fastener, which secures the ceramic body of the ignitor to the ignitor bracket.
  6. Secure the new ignitor to the adapter bracket, using the thread-forming screw supplied in the kit, as shown in Figure 1. Ensure that the leads of the ignitor are through the hole in the ignitor bracket before securing the ignitor. Attach the adapter bracket to the ignitor bracket using one of the fasteners removed earlier, as shown in Figure 1 for G6 and M2 series. For all other models, secure ignitor bracket to adapter bracket using the short thread-forming screw (supplied with kit) threaded into the appropriate bite hole. See figure 2.
- Note:** The clearance hole in main bracket may need slight enlargement to allow proper line up.
7. Attach the two-position plug to the leads of the ignitor.
  8. Install the ignitor bracket back into the burner box. Be extremely careful while replacing the ignitor. In earlier models of G3, G4 and G5, extreme care must be

exercised due to the size restraint of these older models (slight manipulation of the new assembly may be necessary to clear the screw head before the assembly slips through the opening). Check to ensure that the ignitor element is not touching either the burners or the heat exchanger tubes. (There should be approximately 1/8" clearance from all surfaces).

9. Reconnect the ignitor leads to the leads from the control board.
10. Ensure that all electrical connections are secure and tight.

### Operating the Furnace

1. Turn on all electrical power to the furnace.
2. Remove the furnace door.
3. For gas burners, push in the gas control lever and move to "ON". DO NOT FORCE LEVER.
4. Follow the start-up and lighting procedures outlined in the Installation Instructions provided with the furnace.

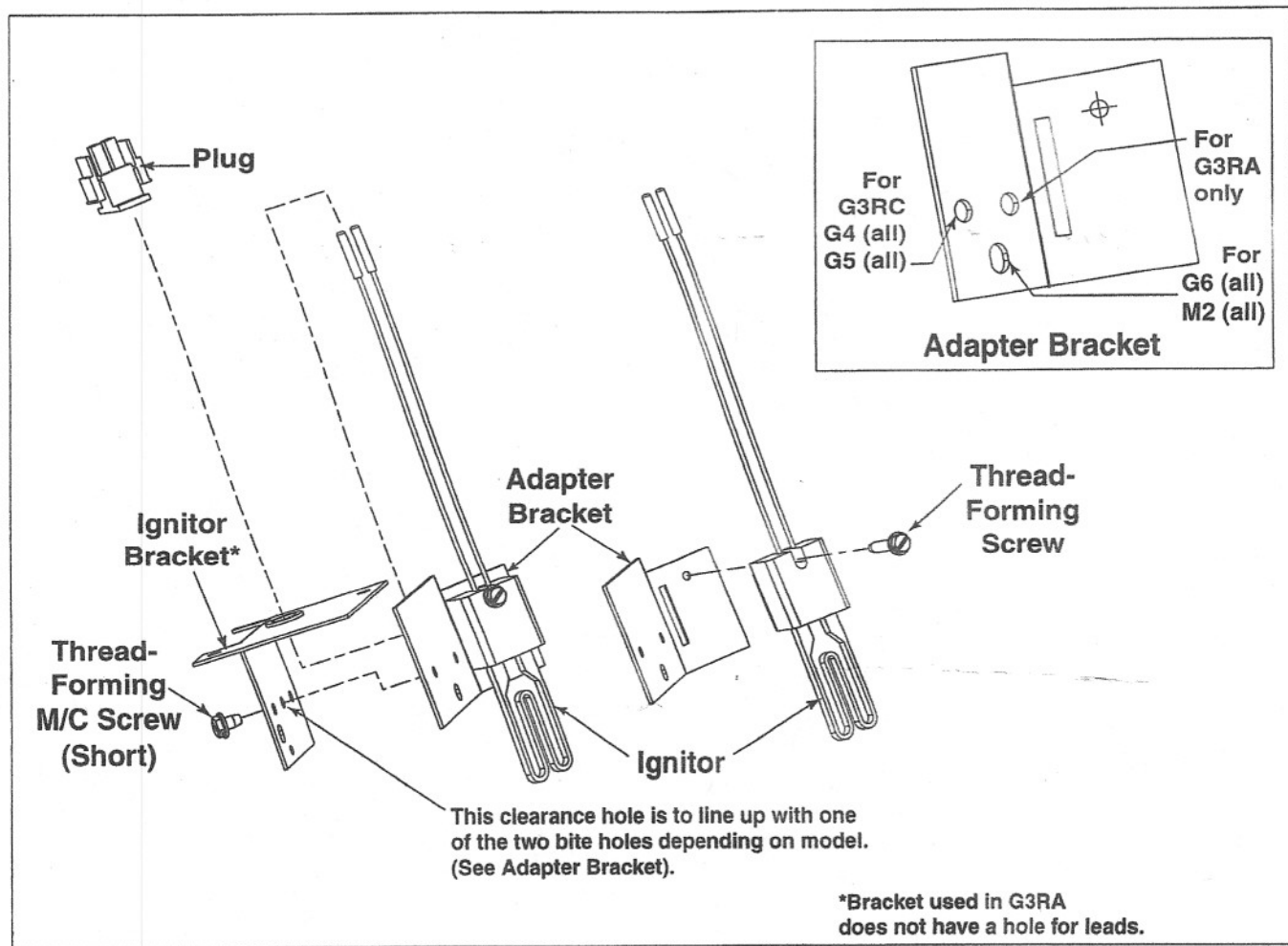


Figure 2. Attaching the ignitor Bracket to G3, G4 and G5

