

INSTALLATION INSTRUCTIONS

7900-6021/B
7900A6041

CONTROL PACKAGE FOR 2-WIRE THERMOSTAT
CONTROL PACKAGE FOR 4-WIRE THERMOSTAT

IMPORTANT

These instructions are intended for the use of qualified individuals specially trained and experienced in installation of this type of equipment and related system components.

Installation and service personnel are required by some states to be licensed.

Persons not qualified shall not install this equipment or interpret these instructions.

WARNING

IMPROPER INSTALLATION MAY DAMAGE EQUIPMENT, CAN CREATE A SHOCK HAZARD, AND WILL VOID THE WARRANTY.

NOTE: The words "Shall" or "Must" indicate a requirement which is essential to satisfactory and safe product performance.

The words "Should" or "May" indicate a recommendation or advice which is not essential and not required but which may be useful or helpful.

APPLICATION

If an air conditioning condensing unit containing its own transformer is used, that transformer must be disconnected and removed.

NOTE: Using the standard heating blower will result in a single speed application. If using a heating blower for A/C applications, the thermostat wires from the motor plug may be removed. **It is required that a filter be installed for all A/C applications.**

DANGER

SHOCK HAZARD

SHUT OFF ELECTRICAL SUPPLY TO FURNACE AT HOUSEHOLD BREAKER BOX TO PREVENT ELECTRICAL SHOCK, SEVERE PERSONAL INJURY, OR DEATH.

BLOWER CONTROL ACCESS

If using the 2-wire control box 7900-6021/B, remove the logo plate as shown in Figure 1. This provides access to the blower control box switches.

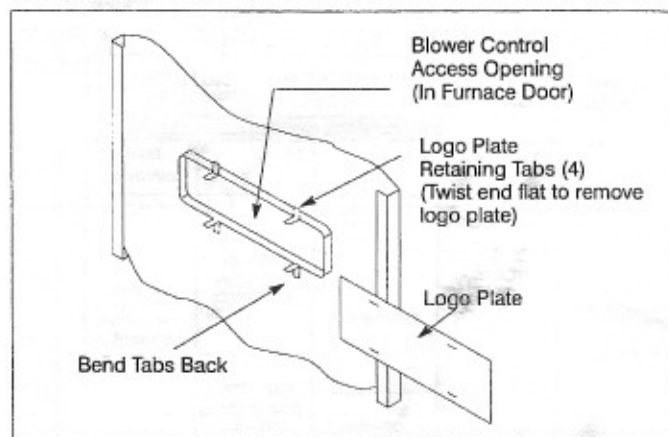


Figure 1

MOUNTING CONTROL BOX TO BLOWER

1. Turn system switch off.
2. Disconnect the thermostat leads at the blower plug.
3. Unplug the blower from the furnace control box by pinching the clasping tabs on the sides of the plug and pulling out.
4. Remove the four (4) mounting screws at the blower. (See figure 2).

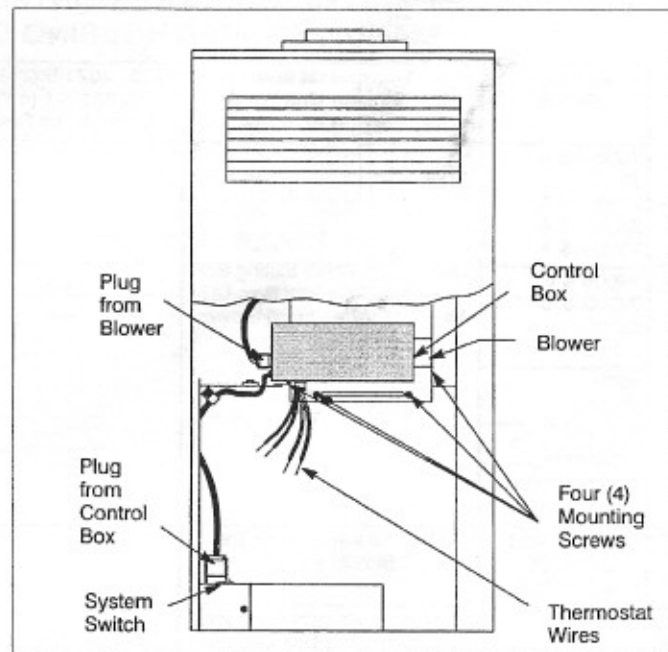


Figure 2

5. Slide the blower out of the furnace to a point where the control box can be attached if using the existing blower. (See figure 3 to determine if a blower change is required).

THE FOLLOWING LISTED EVAPORATOR COILS AND CONDENSER UNITS ARE DESIGN CERTIFIED TO BE INSTALLED WITH THIS FURNACE WHEN EQUIPPED WITH BLOWERS AS LISTED IN THE CHART BELOW. DESIGN MAX. EXTERNAL S.P. 0.3" W.C. WITH EVAPORATOR COIL IN PLACE.

A/C CONDENSING UNIT MODEL NO.	H.P. OUTDOOR UNIT MODEL NO.	INDOOR COIL MODEL NO.
*RC*018***	*RH*018***	M**24***
*RC*024***	*RH*024***	M**30***
*RC*030***	*RH*030***	M**31***
*RC*035***	*RH*035***	M**35***
*RC*042***	*RH*042***	M**41***
*RC*048***		M**42***
		M**48***

* LETTER or NUMBER MAY VARY

BLOWER SELECTION CHART FOR MANUFACTURED HOUSING GAS AND OIL DOWNFLOW FURNACES

A/C REQUIREMENT	AIR DELIVERY REQUIREMENT	FURNACE HEATING INPUT OR SERIES		
		56,000 THRU 75,000	84,000 THRU 95,000	DGAM (MAGNUM)
3 TON OR LESS	NORMAL	7970-590 (FACTORY EQUIPPED)	7995-591 (FACTORY EQUIPPED)	7900-606 (FACTORY EQUIPPED)
	HEAVY			
3-1/2 TON	NORMAL	7900-6061*	7900-6051* FOR HEATING USE MED SPEED	
	HEAVY			
4 TON	NORMAL	7900-6051* FOR HEATING USE LOW SPEED	7900-6051* FOR HEATING USE LOW SPEED	
	HEAVY			

* LETTER MAY VARY

BLOWER PART NO.

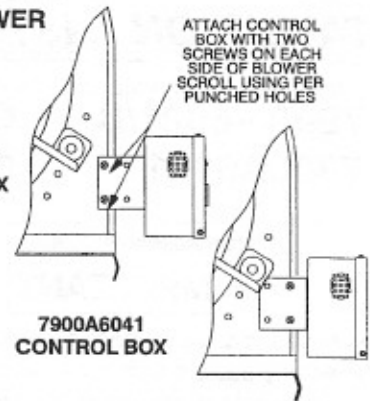
NORMAL - SINGLE WIDE OR SMALL DOUBLE WIDE
HEAVY - LARGE DOUBLE WIDE OR DESERT CONDITIONS, ADD-ON HEAT PUMP, OR WHERE MORE AIR FLOW IS REQUIRED.

7945-320/G Rev 2 (3/96) P1

Figure 3

7900-6061/A BLOWER

7900-6021/B CONTROL BOX

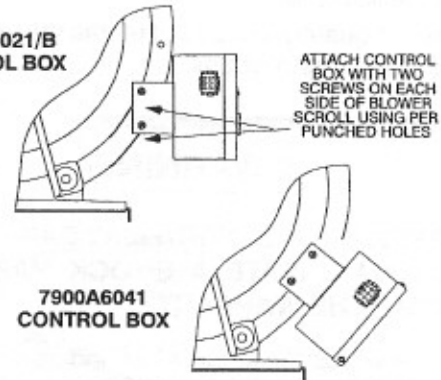


ATTACH CONTROL BOX WITH TWO SCREWS ON EACH SIDE OF BLOWER SCROLL USING PER PUNCHED HOLES

7900A6041 CONTROL BOX

7900-6051/C BLOWER

7900-6021/B CONTROL BOX



ATTACH CONTROL BOX WITH TWO SCREWS ON EACH SIDE OF BLOWER SCROLL USING PER PUNCHED HOLES

7900A6041 CONTROL BOX

Figure 4

6. Install control box on blower. (See figure 4).

7. Slide the blower back into the furnace and secure by replacing the 4 mounting screws.

1970 Thru 1995 A/C BLOWER AND CONTROL WIRING APPLICATION GUIDE FOR MANUFACTURED HOUSING GAS AND OIL FURNACES

	Furnace Series	Thermostat and Condensing Unit Wiring Connection at Furnace	7900-6021/B (2 Wire) or 7900A6041 (4 Wire) Control Box Required	7900-6151 for 7900-6061/* or 7900-6161 for 7900-6051/* Blower Adapter Kit Required	7656-5761 Cap Assy. Required
Heating Only 1970 Thru 1993	7600- & A 7656F 7700- & A 8600- & A 8800- & A	Use T-Stat Wires Exiting Bottom Of A/C Control Box. DO NOT Use Wires From Blower Plug.	YES	YES 1970 Thru 1984	YES Approx. 1970 Thru 1980
	7600B & C 7700B & C 8600B 8800B				
	4000 7900				
	DGRT***AUA DGAT***DA COAT***DA CGAT***ADA				
A/C Ready 1993 Through Today	DGRT***AUB COAT***BDB DGAT***DC	Use The Wires From The Blower Plug.	NO	NO	NO
	DGAT***BDD	No T-Stat Rewiring Required . Condensing Unit Control Wires Must Be Connected To The Control Board Inside Furnace Control Box. DO NOT Use Wires From Blower Plug.			

* Number or Letter May Vary.

WIRING

1. Connect the plug from the blower to the receptacle on the blower control box (See figure 2). **NOTE:** When properly aligned, the plug will slide smoothly into place — **DO NOT FORCE**. Insure clasp tabs snap into place.
2. Connect the plug from the blower control box to the receptacle on the furnace control box (See figure 2).
3. Wire thermostat as shown in:

- Figure 5 for thermostat wiring for the 7900-6021/B (2 wire) control box that uses existing heating thermostat.

- Figure 6 for thermostat wiring for the 7900A6041 (4 wire) control box.

CAUTION

IF PLASTIC WIRE CLAMPS WERE REMOVED DURING THIS PROCEDURE, INSURE THAT THEY ARE REPLACED.

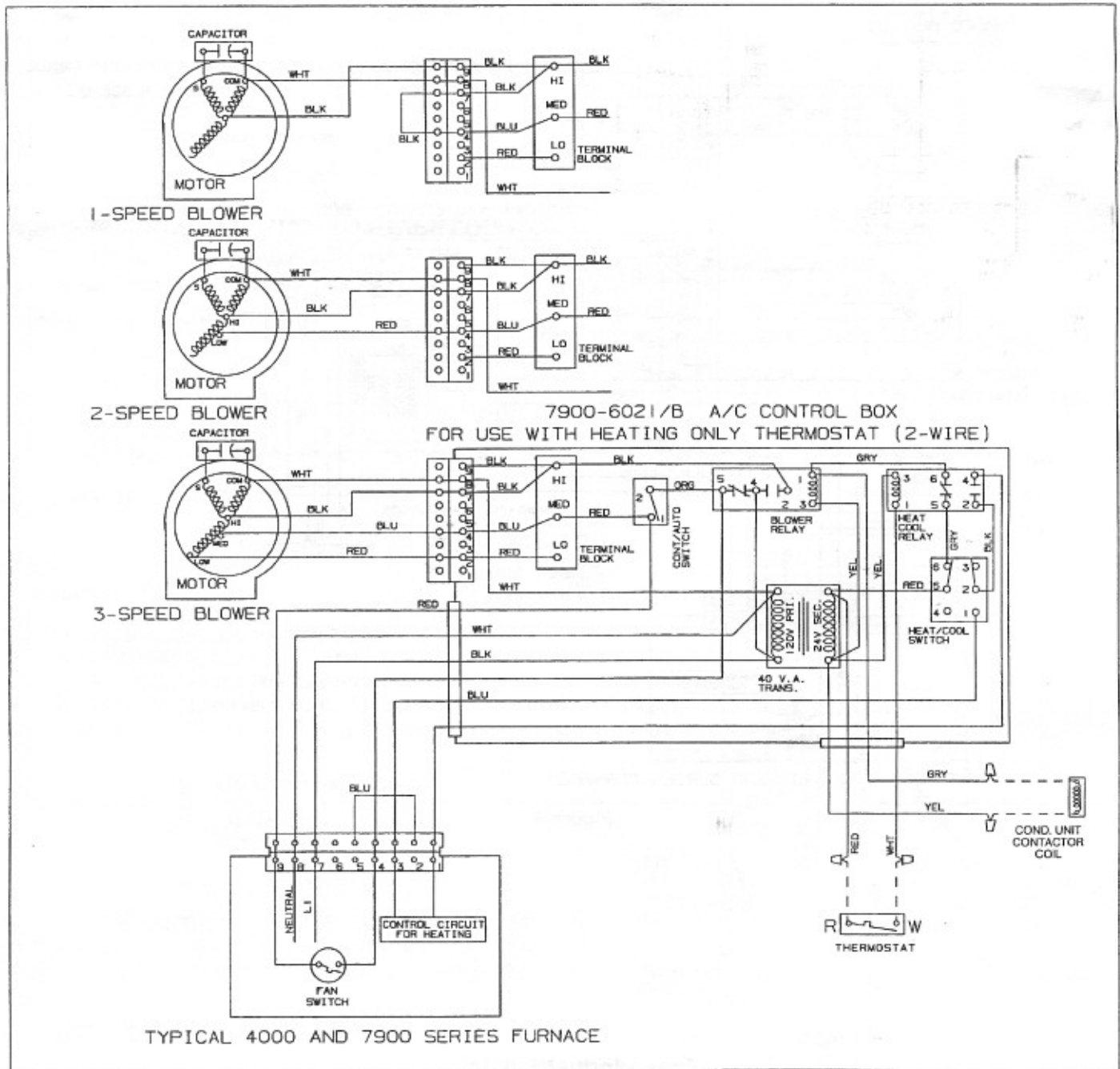


Figure 5

COMPLETION OF INSTALLATION

1. Install a 7660-5331 filter and retainer kit per instructions packed with the filter.
2. Turn on electrical supply to the furnace.
3. Turn on system switch.
4. Re-install upper furnace door.
5. Insure proper blower operation for heating and air conditioning.

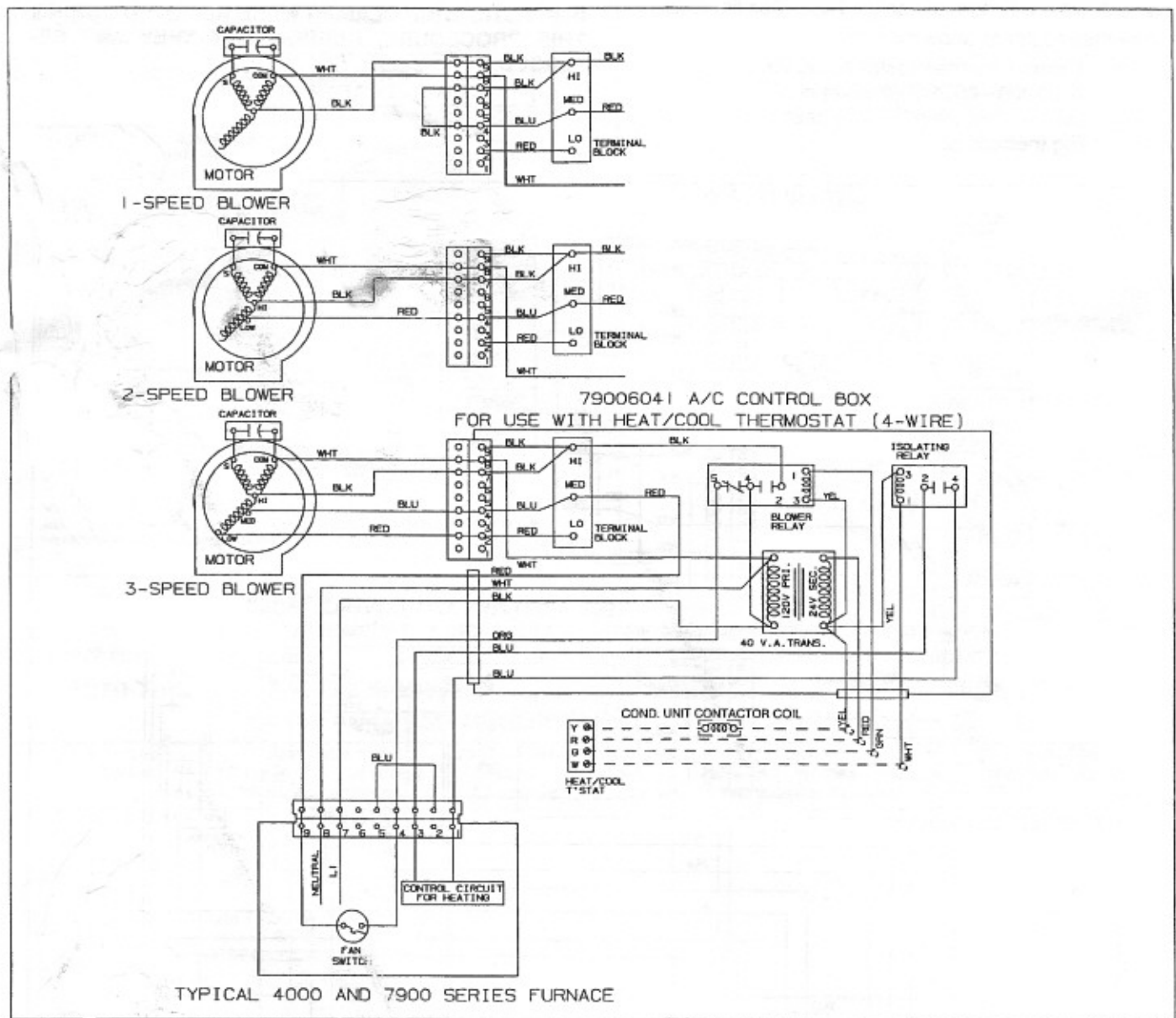


Figure 6

19495

1972-866/D Rev.1 (5/96) Pl.

Evcon Industries, Inc.

3110 North Mead
P.O. Box 19014
Wichita, KS 67204-9014

LITHO IN U.S.A.