

INSTALLATION INSTRUCTIONS

9536-7351 HEAT PUMP/AIR CONDITIONING BLOWER PACKAGE for Conversion of InterTherm E2EH Series Electric Furnaces

IMPORTANT

These instructions are for the use of qualified individuals specially trained and experienced in installation of this type equipment and related system components. Improper installation **MAY DAMAGE EQUIPMENT, CAN CREATE A HAZARD, and WILL VOID THE WARRANTY.**

Installation and service personnel are required by some states to be licensed. **Persons not qualified should not attempt to install this equipment nor interpret these instructions.**

NOTE: The words "shall" or "must" indicate a requirement which is essential to satisfactory and safe performance.

The words "should" or "may" indicate a recommendation or advice which is not essential and not required but which may be useful or helpful.

DANGER

AVOID HAZARDS - Before performing any work on this equipment carefully observe the following:

- Turn off electrical power supply at the household service box to avoid possibility of shock injury, or damage to equipment.
- Shut off fuel supply to the equipment to avoid the possibility of fire, explosion, or asphyxiation.

WARNING

Improper installation may damage equipment, can create a shock hazard, and will void the warranty.

Application

This multi-speed blower conversion package is used with the Evcon heat pump/air conditioning conversion packages when adding an Evcon heat pump or air conditioning split system to the InterTherm heating only series electric furnaces. When adding a heat pump or a split air conditioning system to E2EH series use control package 9536-7211.

NOTE: This blower conversion package is not needed in the InterTherm E2EB series electric furnaces which contain suitable multi-speed blowers.

This blower package will provide the required air delivery for heat pumps rated to 3-1/2 nominal tons and air conditioning to 4 nominal tons, provided the return air has a minimum of 300 square inches free area.

This conversion package is approved for use on furnaces in downflow application only.

Components

This conversion kit contains:

- Blower assembly with motor
- Blower support for E2EH furnace series
- E2EH envelope:
9536-516 (12-pin matrix socket to 9-pin straight plug) wiring harness adapter and sheetmetal screws.

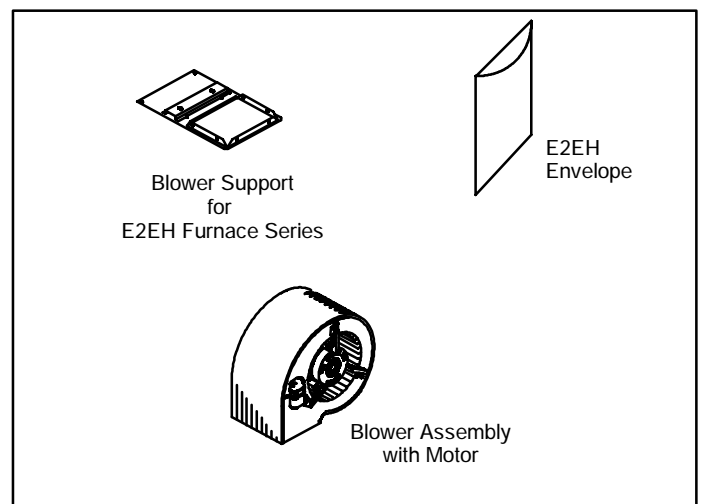


Figure 1 - Kit Components

Installation Instructions

E2EH FURNACE SERIES

- Attach blower support to the blower assembly with the eight (8) sheetmetal screws provided in this conversion package. (See Figure 4.)

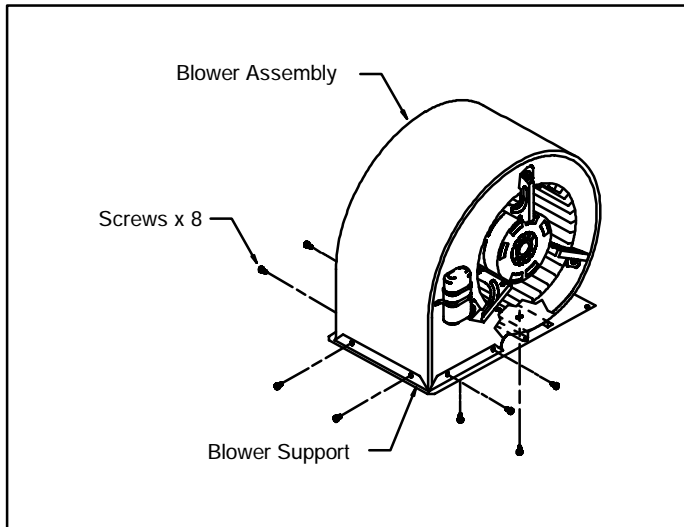


Figure 4 - Blower Assembly Attachment

1. Control box attachment for E2EH furnace series only:

- Get the control box from the conversion package 9536-7211.

- Plug the wiring harness adapter onto the control box.
- Follow control box instructions for installation.

2. Heating blower removal:

- Turn the wall thermostat to its lowest setting and shut the furnace off completely:

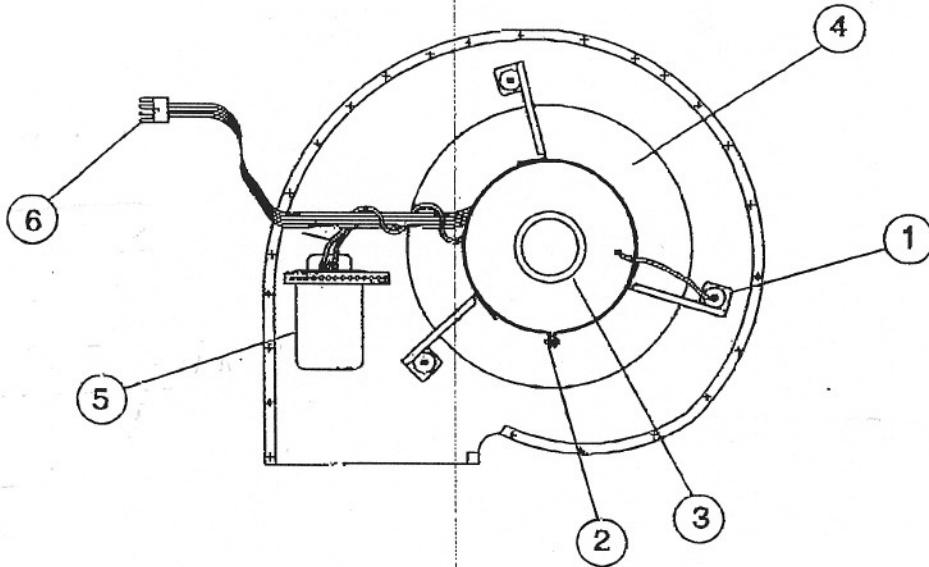
WARNING

SHOCK HAZARD - The furnace may be connected to more than one supply circuit; ensure that all electrical supply circuits to the furnace are turned off.

- Remove furnace door.
 - Pull out furnace safety disconnect from the control panel cover.
 - Disconnect the motor plug from the furnace control panel receptacle.
 - Remove the two blower retaining screws and slide the blower forward to remove from furnace.
- #### 3. If necessary, apply furnace casing insulation (9536-7221P).
- Follow instructions for insulation package.
- #### 4. Conversion assembly installation:
- Install the multi-speed blower conversion assembly into the furnace in reverse order that heating blower was previously removed.

NOTE: Be sure the blower mounting plate flanges engage the blower retaining tab in sides and rear.

**9536-7301/A and 9536-7351 BLOWER for
NORDYNE ELECTRIC FURNACES**



CODE	PART NUMBER	DESCRIPTION
1	7670-3551	Motor Mount (Rubber - 3/Pkg.)
2	8680-5391	Motor Clamp
3	9536B3249	Motor <i>1/3 HP 1050/4 208-230</i>
4	1472-2761	BLower Wheel
5	1499-4461	Run Capacitor
6	3200-347	Connector Plug

NOTE: All parts with three digit suffix numbers are "Special Order" Parts. These parts are subject to factory availability and require extra time for delivery.

Subject to change without notice. Printed In U.S.A.
Copyright © by Unitary Products Group 1997. All rights reserved.

R-511 (10/97)

Unitary
Products
Group

Post Office
Box 19014

Wichita
Kansas
67204-9014

RMM0040X