

Installation Instructions - 120V AC Ceiling Insert Vent Fans

Model Covered: V2262

Caution! For general ventilating use only. Do not use to exhaust hazardous or explosive materials or vapors.

Caution! Do not allow insulation, ceiling finishing materials, roofing materials, or other debris to enter the fan housing or ductwork. Motor failures due to debris are not subject to warranty coverage.

WARNING!

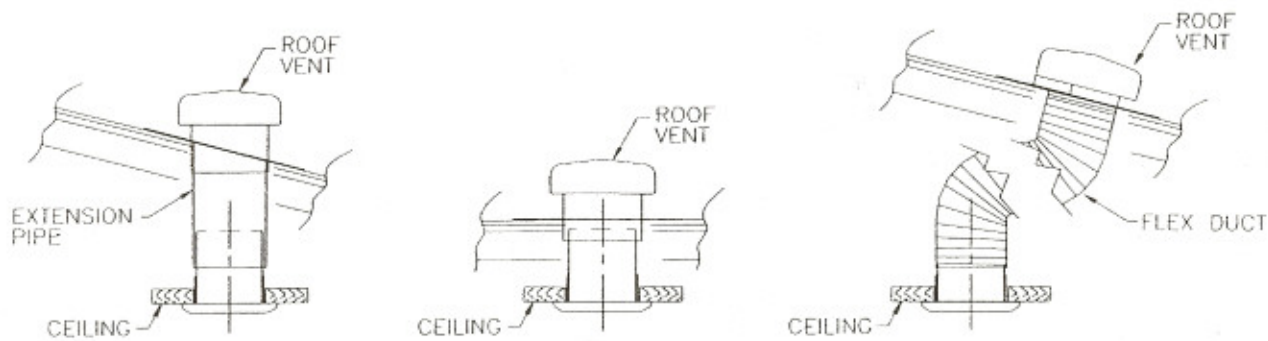
TO REDUCE THE RISK OF FIRE, ELECTRIC SHOCK, OR INJURY TO PERSONS, OBSERVE THE FOLLOWING:

- A. Do not use this fan with any solid state speed control device.
- B. Installation work and electrical wiring must be done by qualified person(s) in accordance with all applicable codes and standards, including fire related construction.
- C. Sufficient air is needed for proper combustion and exhausting of gases through the flue (chimney) of fuel burning equipment to prevent back drafting. Follow the heating equipment manufacturer's guidelines and safety standards such as those published by the National Fire Protection Association (NFPA), The American Society for Heating, Refrigeration and Air Conditioning Engineers (ASHRAE), and local code authorities.
- D. When cutting into walls or ceilings, do not damage electrical wiring and other hidden utilities.
- E. Ducted fans must always be vented to the outdoors.
- F. If this unit is to be installed over a tub or shower, it must be marked as appropriate for the application and be **connected to a GFCI (ground fault circuit interrupter) -protected branch circuit.**
- G. **NEVER** place a switch where it can be reached from a tub or shower

- 1) This fan is acceptable for ceiling installation over tub or shower **ONLY when installed in a GFCI-protected branch circuit.**
- 2) This fan is acceptable for ceiling or adjacent soffit installation in residential cooking areas. This fan is not for use over commercial cooking areas. Use metal ductwork when venting cooking areas.
- 3) Locate ceiling joists, mark desired location between joists and cut 8" diameter rough opening in ceiling and roof.
- 4) Disconnect the fan motor using the plug provided in the wiring compartment cover. Remove the wiring compartment cover and route electrical supply wiring into wiring compartment through the integral strain relief. Make all electrical connections in accordance with local and/or applicable codes.
- 5) Verify the duct connection included as part of the roof vent is centered over the ceiling penetration to allow for fan insertion from below. Secure the flange to the roof using means necessary to provide a watertight seal after installation is complete. If additional extension ductwork is required it must be secured to the roof flange duct connection sufficient to prevent shifting during transit or use. **NEVER** allow the duct connection or extension ductwork to contact the supply wiring.
- 6) Insert the fan unit into the duct connection (or extension ductwork) and fasten to the ceiling using #8 screws. Verify that the fan unit is free of debris and that the fan spins freely. Replace wiring compartment cover by compressing in the center per the instructions stamped on the cover, reconnect the fan motor plug and install inlet grille.
- 7) If using flexible ductwork, secure the ductwork to the fan using a tie wrap or duct tape rated for use at 200 degrees F. Insert the ductwork and fan through the ceiling penetration and fasten the fan to the ceiling using #8 screws. Pull the flexible ductwork through the roof penetration from above. Verify the ductwork is free of debris. Trim off excess length. Secure the ductwork to the roof cap using a tie wrap, mechanical fasteners, duct tape rated for use at 200° F., or other method which results in a secure, substantially air tight seal to satisfy HUD Standard section 3280.710(3) and 3280.715(c) Secure the flange to the roof using means necessary to provide a watertight seal after installation is complete. Verify that the fan unit is free of debris and that the fan spins freely. Replace wiring compartment cover by compressing in the center per the instructions on the cover. Reconnect the fan motor plug and install inlet grille.

Please refer to the reverse side of this document for installation illustrations and additional safety and cleaning Instructions.

Typical installation methods - refer to the reverse side for instructions.



WARNING! TO REDUCE THE RISK OF A RANGE TOP GREASE FIRE:

- a) Never leave surface units unattended at high settings. Boilovers cause smoking and greasy spillovers that may ignite. Heat oils slowly on low or medium settings.
- b) Always turn hood ON when cooking at high heat or when cooking flaming foods.
- c) Clean ventilating fans frequently. Grease should never be allowed to accumulate on fan or filter.
- d) Use proper pan size. Always use cookware appropriate for the size of the surface element.

WARNING! TO REDUCE THE RISK OF INJURY TO PERSONS IN THE EVENT OF A RANGE TOP GREASE FIRE, OBSERVE THE FOLLOWING:

- a) SMOTHER FLAMES with a close fitting lid, cookie sheet or metal tray, then turn off the burner. BE CAREFUL TO PREVENT BURNS. If the flames do not go out immediately, EVACUATE AND CALL THE FIRE DEPARTMENT.
- b) NEVER PICK UP A FLAMING PAN – you may be burned.
- c) DO NOT USE WATER, including wet dishcloths or towels – a violent steam explosion will result.
- d) Use an extinguisher ONLY if:
 - 1) You know you have a class ABC extinguisher, and you already know how to operate it.
 - 2) The fire is small and contained in the area where it started.
 - 3) The fire department is being called.
 - 4) You can fight the fire with your back to an exit.

Based on "Kitchen firesafety tips" published by NFPA

Read and Save These Instructions !

WARNING! To reduce the risk of fire, electric shock, or injury to persons, observe the following:

- a) Use this unit only in the manner intended by the manufacturer. If you have questions, contact the manufacturer.
- b) Before servicing or cleaning unit, switch power off at the service panel and lock service disconnecting means to prevent power from being switched on accidentally. **When the service disconnecting means cannot be locked, securely fasten a prominent warning device, such as a tag, to the service panel.**

Care And Cleaning

Fan Interior : After disconnecting power, remove the grille by pulling downward to gain access to the interior of the fan housing. Vacuum any accumulated dust and lint from the fan blade, housing interior, and motor. Wipe the fan blade with a moist cloth or sponge to remove any dirt buildup.

Inlet Grille : Before replacing grille, clean with a solution of warm water and mild detergent applied with a soft cloth or sponge. Do not use gritty or abrasive cleaners.