

F, FE, F3, F4, SE and SD Series Skylights Installation Instructions

IMPORTANT: READ THE COMPLETE INSTRUCTIONS CAREFULLY BEFORE BEGINNING THE INSTALLATION OF A SKYLIGHT. Be sure you have all the tools and materials required for the job. Allow at least 3 hours on a day with suitable weather to do the installation.

REQUIRED MATERIALS

- | | |
|---------------------|--|
| 1. Tape Measure | 9. Drill |
| 2. Knife | 10. Drill Bit 1/8" |
| 3. Roofing Nails | 11. Screw Driver |
| 4. 3/8" head screws | 12. 2"x4's 2"x6's |
| 5. Hammer | 13. Sponge weather seal, Butyl tape or caulk |
| 6. Hand Saw | 14. Moulding, Wood finish |
| 7. Common 10d nails | Paneling or drywall |
| 8. Flashing | |

These installation instructions address both new construction and remodeling installations. If your installation is for new construction, skip Steps #1 & #2

Skylight size	Roof Opening*
1616	14.5"x14.5"
1624	14.5"x22.5"
1632	14.5"x30.5"
1648	14.5"x46.5"
2424	22.5"x22.5"
2432	22.5"x30.5"
2448	22.5"x46.5"
3232	30.5"x30.5"
3248	30.5"x46.5"
4848	46.5"x46.5"

* The above dimensions are maximum roof openings. Smaller roof openings are acceptable, larger are not.

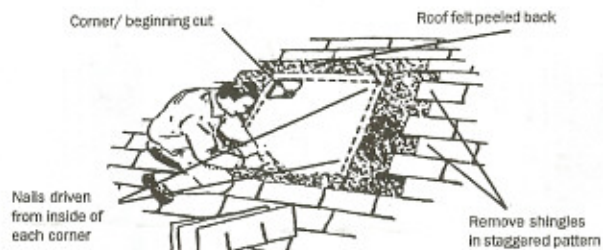
1. REMOVAL OF CEILING SECTION

Measure and mark ceiling location for your skylight. Try to install between rafters to minimize work (reference Steps #3 & #4). Before cutting,



2. REMOVAL OF ROOF SECTION

Locate corner position of roof opening using a level or rule as a guide and mark corner position on the interior side of roof (reference Step #4). To locate the roof opening drive nails at the corners up through the exterior of roof. Connect the four corner nails and trace desired roof opening.

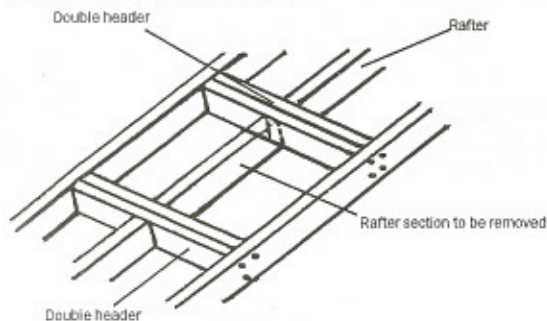


3. FRAMING OF ROOF OPENING

Framing for the interior of roof opening (attic area)

IMPORTANT: The inside dimensions of the framing must match the dimension chart above for proper skylight size/ roof opening. If the rafter has been cut use a double-header as shown in the figure below

ADD A VAPOR BARRIER TO THE INTERIOR SIDE OF THE LIGHT SHAFT AND WALLBOARD.



4. CONSTRUCTION OF LIGHT SHAFT



Direct light by use of a light shaft. Position skylight directly over area or slant/ flair light shaft to direct light to desired area. Frame in light shaft, double framing in order to achieve at least 3.5" thickness in structure. Cover the exterior side (attic side) with plywood or sheathing. Hang insulation batts on the interior side of light shaft. Add a vapor barrier to the interior side of the light shaft under the wall board. Apply wall board inside shaft and finish as desired.

NOTE: Do not try to "bundle" the exterior side of the light shaft with insulation. This can cause ice and moisture to form on the interior of the light shaft



LIMITED LIFETIME WARRANTY

All FoxLite Skylights have a Limited Lifetime Warranty to protect the original purchaser against defects in material and workmanship. FoxLite's warranty covers our skylight lenses against cracking, breaking or splitting provided that FoxLite Skylights are installed and maintained in accordance with the manufacturer's instructions. FoxLite, Inc. is not responsible for faulty installation, or for other materials used in the installation(s). If a problem occurs within the first five (5) years after installation, FoxLite's Limited Lifetime Warranty will supply another skylight of similar size, type and color, F.O.B Destination. Any problem occurring after five (5) years, FoxLite will supply a new skylight of similar size, type and color for 50% off the current list price of that item; F.O.B Shipping Point.

C:\My Documents\Instructions 2000\F-Series Instructions\F Series Sheet

JAN 2007

5. SKYLIGHT PREPARATION: Under Flange caulking

IMPORTANT: Do not rest the outer glaze of skylight on a hard or dirty surface unprotected. The skylight surface can be marred permanently. The skylights are shown upside down in the figures 5A and 5B

Figure 5A

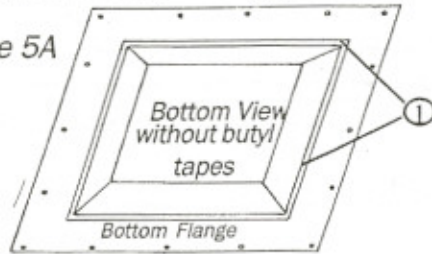


Figure 5B

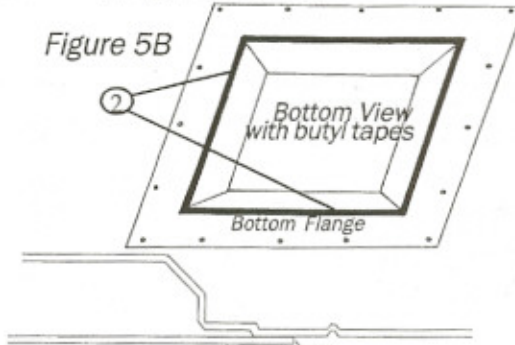


Figure 5C: Butyl placement

① Outer edge of inner glaze

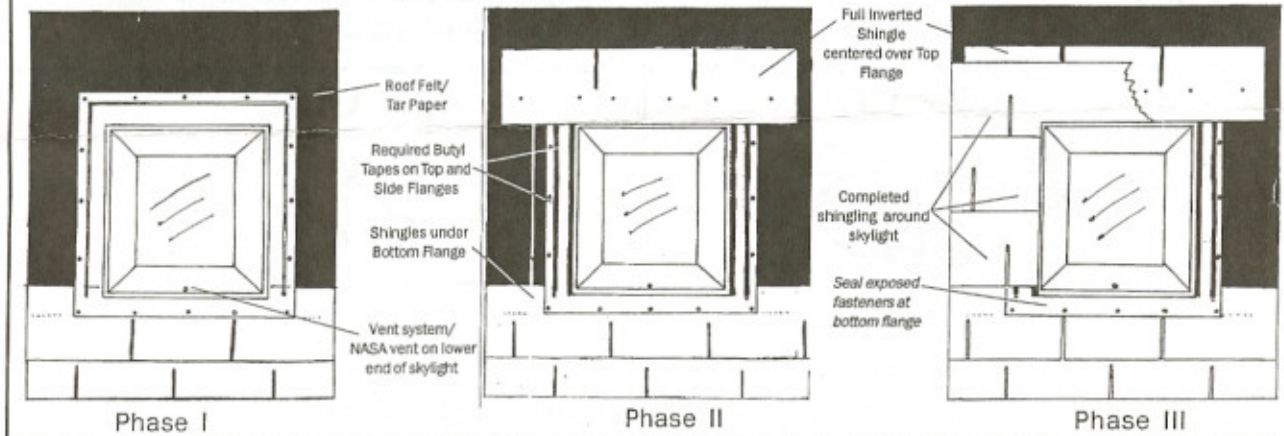
② Butyl tape covers edge of inner glaze, 1/4" minimum

6A. SKYLIGHT INSTALLATION: **ONLY USE BUTYL TAPES 1/8" THICK, 1/2" MIN TO 3/4" MAX WIDTH**

Center skylight over roof opening. Place lower row of shingles under bottom skylight flange as illustrated. Always mount skylight with the roof vent (black rubber grommet and foam plug) at low end of roof. Failure to do so will result in inadequate water control/ drainage and ventilation of skylight. Staple, nail or screw (based on Wind Zone requirements) the flange area of skylight through the pre-punched mounting holes. Start at the middle of each side and work toward the corner. **DO NOT OVERDRIVE FASTENERS!** Apply butyl tape to top and side flanges of skylight. The butyl should be applied in two strips. Apply one strip around perimeter of skylight dome (top and sides only) and another strip on top of anti-siphon rib near mounting holes (top, left and right only). These butyl tapes will provide an excellent water seal and adhesion to shingles. Once skylight is mounted to roof deck, shingle skylight as shown :

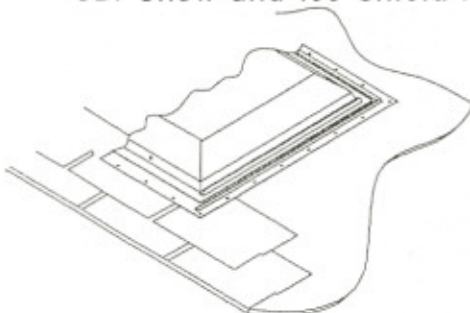
FOR THE F3 SERIES, INSTALL SHINGLE AGAINST SIDE WATER FIN.

FOR FE SERIES, INSTALL SHINGLES WITH A 1/2" GAP BETWEEN SHINGLE EDGE AND SKYLIGHT DOME TOP. FAILURE TO SHINGLE CORRECTLY MAY CAUSE INADEQUATE WATER CONTROL.



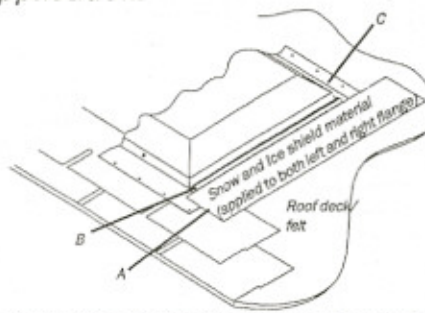
NOTE: For heavy snow load regions, we highly recommend the application of Snow and Ice Shield roof mastic. **OPTIONAL** (See 6B)

6B. Snow and Ice Shield Application:



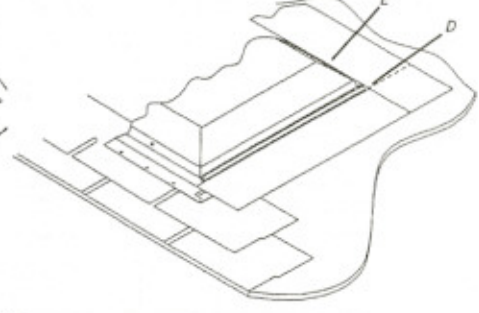
Shingles applied to the foot of the roof opening and skylight secured to roof deck (skip phase 2 of step 6 of standard instructions).

Phase I



Apply the Snow and Ice shield to the roof deck per the manufacturers instructions. Recommended manufacturers are, but not limited to, Peel&Seal, Canisite Hardcast, Etem-a-bond, etc. Cut your material to the desired length, for both sides. Position the material above the next shingle to hide the material (A). Butt against the siphon rib on the FD3/FT3 models (B). On FDE/FTE models, leave approx. 1/2" to 3/4" from raised glazed line (C).

Phase II



Cut your material to the desired size. Both ends should align with the side material. Butt the lower edge near or against the upper end of the anti-siphon rib on FD3/FT3 models (D). On FDE/FTE models leave a 1 1/2" space from the glaze line (E). Once this is done, refer to the standard skylight instructions to complete the installation.

Phase III

Metal Roof

F, F3, F4, Se or SD - SERIES INSTALLATION INSTRUCTIONS

IMPORTANT: READ THE COMPLETE INSTRUCTIONS CAREFULLY BEFORE YOU START TO INSTALL YOUR SKYLIGHT. Be sure you have all the tools and materials needed for the job. Allow at least 3 hours on a day with suitable weather to do the job.

TOOLS AND MATERIALS NEEDED

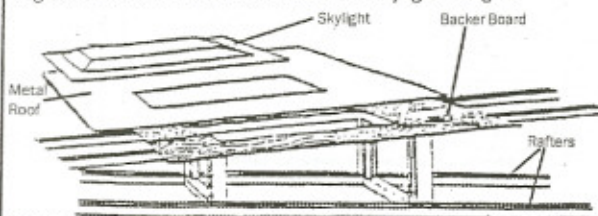
1. Pencil	5. Hand Saw	9. Tin Snips	13. 2x4's or 2x2's
2. Square	6. Insulation	10. Screwdriver	14. Mouldings, Wood Finish
3. Utility Knife	7. Tape Measure	11. Sheet Metal Screw #8x1/2"	15. Drywall, Paneling or Ceiling tile for tunnel
4. Hammer	8. Butyl Caulk	12. Common 10d nails	

RETROFIT APPLICATION

1. Mark the ceiling location for your skylight. Try to install between the rafters to minimize your work (reference section 3). Before cutting, carefully check for electrical wiring above the ceiling. A carefully cut inspection hole should be used. Cut and remove ceiling and insulation.



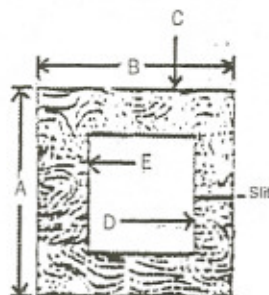
2. Make a 3/8" or 1/2" thick plywood backer board to fit on top of the rafters under the roof sheet metal. This backer board is used to give the skylight mounting screws an attachment under the thin sheet metal roof. The hole in the backer board is the same size as the skylight roof opening. The backer board outside dimensions are the same or larger than the overall dimensions of the skylight flanges.



The slit allows backer board to be slipped under roofing material on one side and turned a full circle to get it under the sheet metal.

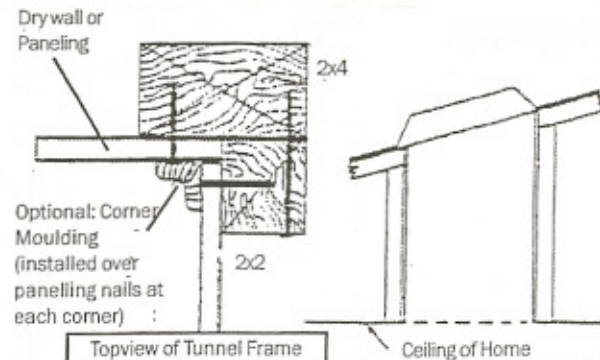
Size	Opening	A	B	C	D	E
1618	14.5"x14.5"	25.5	26.6	6	5	7
1624	14.5"x22.5"	25.5	34.5	6	5	7
1632	14.5"x30.5"	25.5	42.5	6	5	7
1648	14.5"x48.5"	25.5	42.5	6	5	7
2424	22.5"x22.5"	34.5	34.5	6	5	7
2432	22.5"x30.5"	34.5	42.5	6	5	7
2448	22.5"x48.5"	34.5	50.5	6	5	7
3232	30.5"x30.5"	42.5	42.5	6	5	7
3248	30.5"x48.5"	42.5	58.5	6	5	7
4848	48.5"x48.5"	58.5	58.5	6	5	7

ROOF OPENING - Maximum roof opening must be 1.5" under the skylight size, either direction. i.e., 16"x16" skylight has a roof opening of 14.5"x14.5"



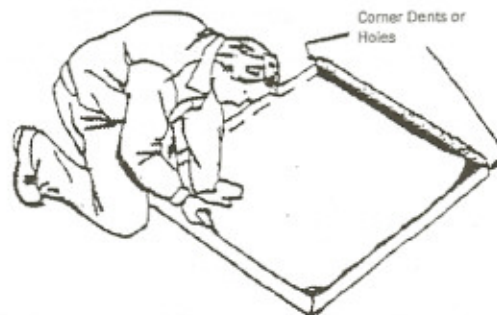
RETROFIT APPLICATION, WHERE APPLICABLE

3. Locate the roof openings directly above the hole in the ceiling (use a square). Draw lines perpendicular with the room ceiling up to the underside of the roof. Use a sharp object like an awl or ice pick to push four dents or holes in the roof. This defines the corners of the skylight opening on to the roof. Use 2 x 4's or 2 x 2's to frame the tunnel up to the roof. Make sure all ceiling and tunnel paneling edges are supported.



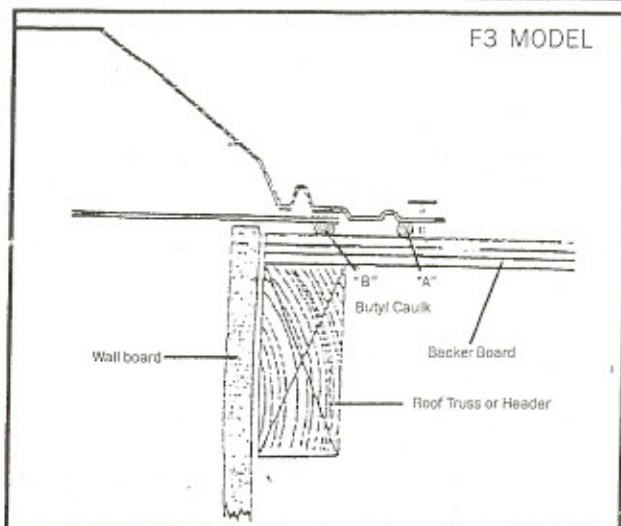
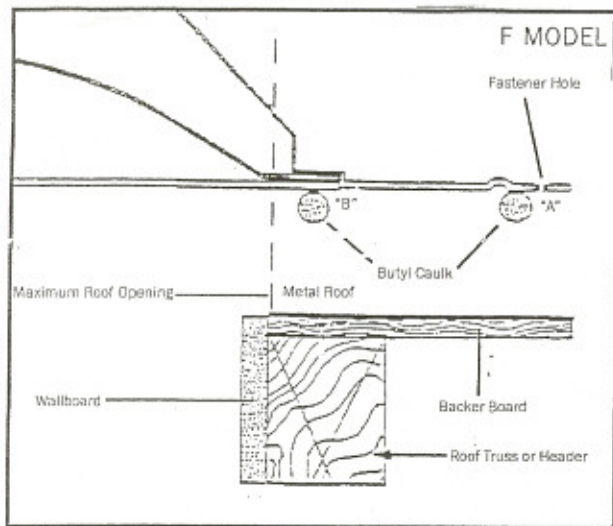
4. On top of the roof, locate the awl or icepick dents and mark the dotted cut lines.

The cut lines on many roofs can be deeply scribed with a utility knife and peeled open like a rooftop tin can. If the roof metal is too thick to peel, use tin snips. Fold the one inch wide edges over flat on top of the roof and nail onto the backer board and rafter.



00030050200

5. ALL CAULKING IS TO BE APPLIED TO SKYLIGHT BEFORE MOUNTING. Do not remove protective plastic cover from the glaze until the skylight is completely installed. Center the skylight above roofing (holding the skylight away from the roof surface). When you are satisfied with the location, rest the skylight on the roof. Be sure bottom pane is resting on the roof around the entire perimeter. Install the fasteners, first from the center of each side and work to each corner. Tighten the fasteners only to the point when you can visually see uniform compression of the caulk. Do not over-tighten fasteners, as it will distort the material making sealing more difficult. Apply additional caulk to cover screws and to fill any voids around the perimeter, smooth excess by hand. Finish interior tunnel and then remove the protective plastic from the interior glaze **WARNING: BOTTOM PANE MUST BE SUPPORTED!**



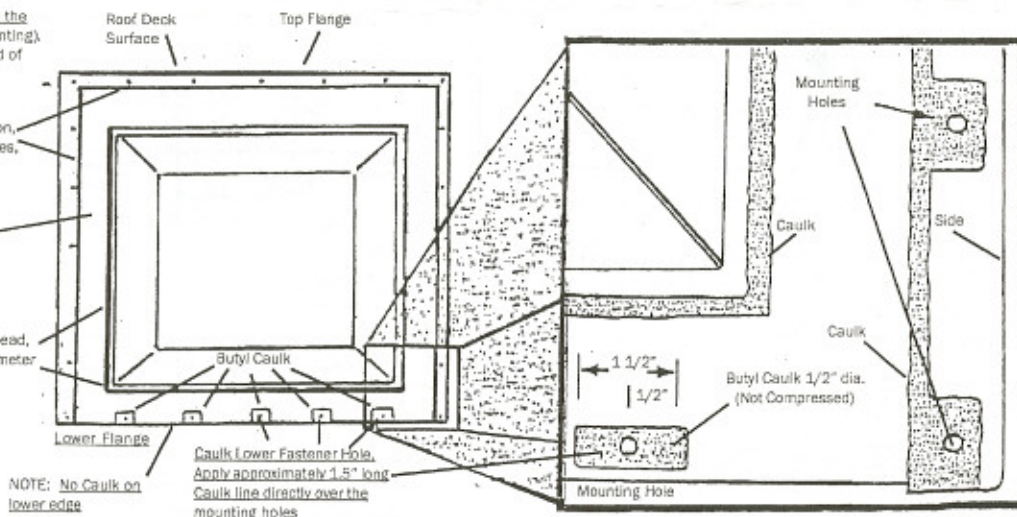
TOP VIEW OF CAULK LINES

Butyl Caulk Application applied on the flange of the skylight (before mounting). Butyl tapes are acceptable instead of Caulk.

Row "A" Caulk Line - 1/2" min diameter (noncompressed) location, just inside pre-drilled fastener holes, along top and both sides

Open Space - between caulk beads to allow water drainage

Row "B" Caulk Line - 5/8" - 3/4" diameter (noncompressed) caulk bead, the bead to be around the full perimeter of the inner glaze.



NOTE: No Caulk on lower edge

SUGGESTED INTERIOR FINISH

6. Insulate tunnel with fiber glass batts stapled or taped in place. Cut tunnel wall panels from matching ceiling or paneling and nail in place

Recommend minimum insulation "R" factor of R-11

Clean plastic with soap and water **ONLY.**

