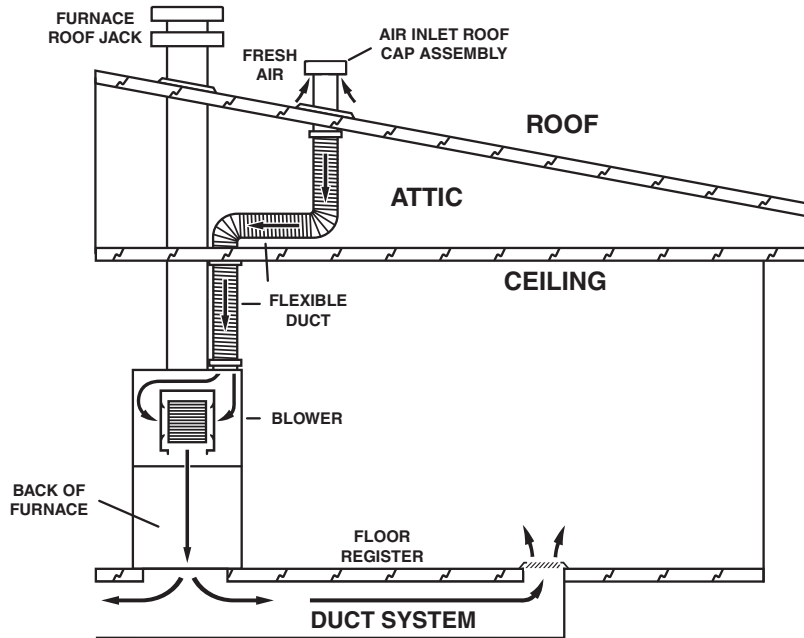
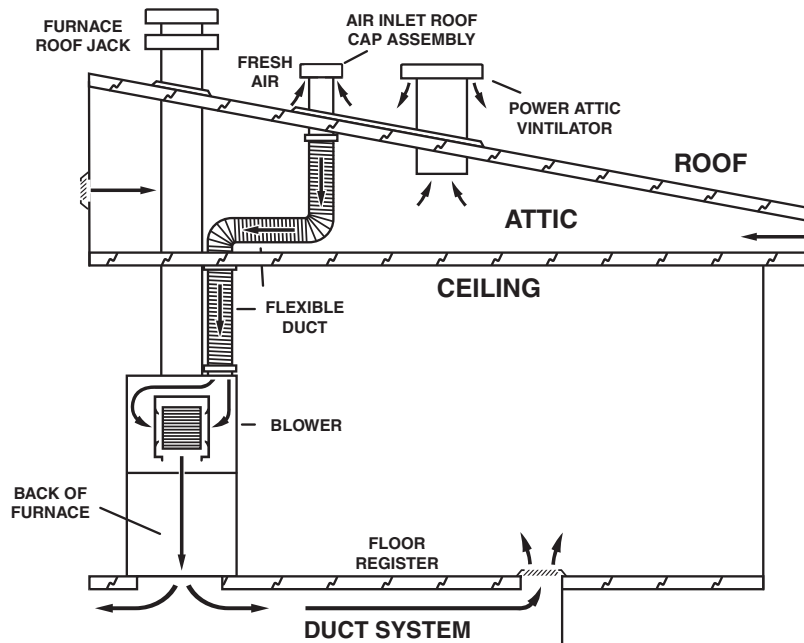


Technical Specifications

Application Guidelines



VENTILAIRES III FRESH AIR INTAKE SYSTEM



VENTILAIRES IV ATTIC VENTILATOR AND FRESH AIR INTAKE

SYSTEM PERFORMANCE

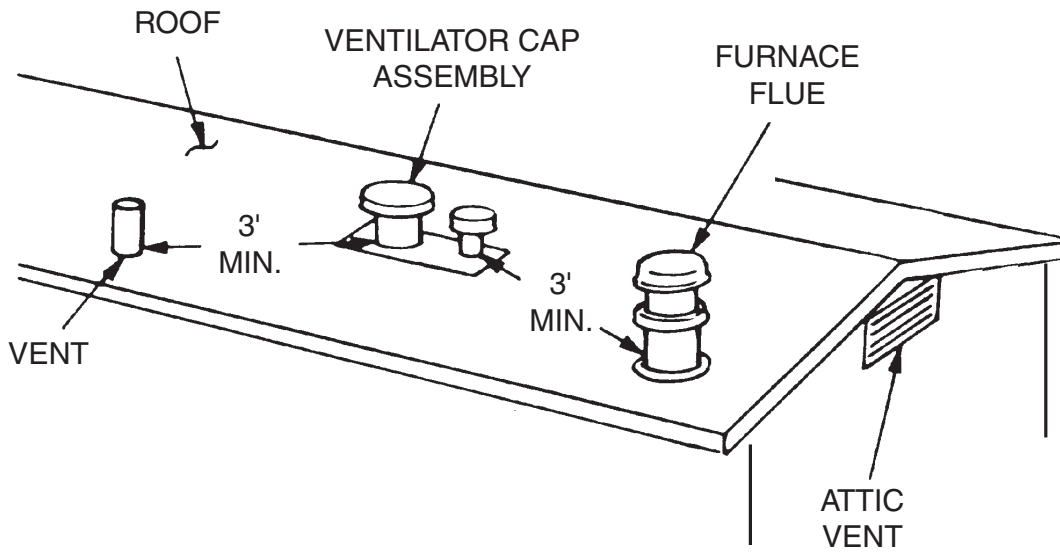
VentilAire III and IV Application Chart

| Furnace Model | Fresh Air Supply CFM - Blower Speed | | | |
|---------------|-------------------------------------|-----------|-----------|-----------|
| | Low | Med-Low | Med-High | High |
| M1*B | | 50 | 65 | 85 |
| M1*C | 60 | 70 | 80 | 90 |
| M2RC | 75 | 90 | | |
| M2RL | 80 | 90 | | |
| M3RL | 65 | 80 | 90 | |
| E3EB | 50 | 70 | 80 | 90 |
| B5BV-000K-B | 50 | 65 | 90 | |
| B5BV-000K-C | 70 | 90 | | |

Note: Manufactured Homes installed ventilation system capacity should be in compliance with HUD 3280.103(6)(1-6).

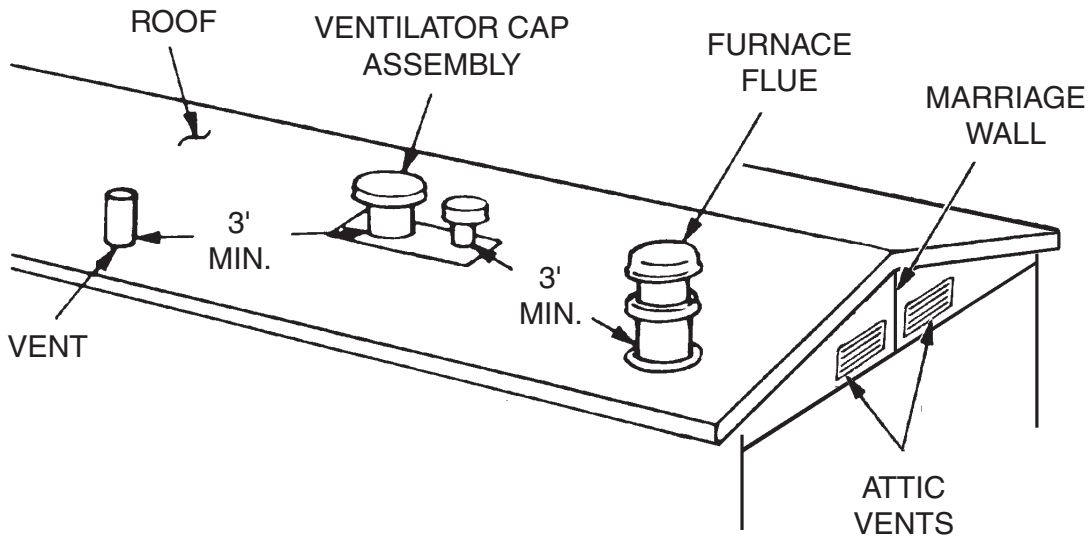
| VENTILAIRE IV SPECIFICATIONS | | VENTILAIRE IV CONTROLS | | | |
|------------------------------|--------------------------------|------------------------|---------------------------------|--|-------|
| Air Flow | 150 cfm | Controls | | Automatic Humidity/ Temperature Operation | |
| Motor | 115 Volts, 60 Hz, Single Phase | WINTER | | SUMMER | |
| Full Load Amps | 0.85 | ON | 35°F to 70°F or RH above 40% | ON | 110°F |
| Wire Size | 14 AWG | OFF | Below 20°F or RH below 40% | OFF | 95°F |

SINGLE-SECTION INSTALLATION



On single-section manufactured homes, the attic must be vented to the outside of each end of the home. This venting must be a minimum of 36 square inches free area at each end of the home, either at the roof or under the eaves.

DOUBLE-SECTION INSTALLATION



On double-section manufactured homes, one vent (minimum) on **each** side of **each** end must be used. These should be at least 15 square inches in free area with at least 144 square inches of free area in the marriage wall for proper venting of entire space.

