

## Central Electric Furnaces

# Installation Instructions

## Multi-Speed Blower Conversion Package #901282-

**NORDYNE**

Manufacturer of

**INTERMED  
INTERMID**

and

**MILLER**  
products

### DESCRIPTION FOR USE:

For use with manufactured housing electric furnace/air handler, rated at 10 KW through 23 KW.

### Introduction

This blower conversion package is listed for field installation into Central Electric Furnaces.

It is capable of handling up to 48,000 Btuh from air conditioning or heat pump systems.

**Note:** Install optional cabinet insulation kit (where required) before installing this blower package.

This blower package requires an air conditioning relay control for split-system air conditioners, or a heat pump relay control for split-system heat pumps.

### Installation

1. Turn off all electrical supply circuits to the furnace, at the main service panel.
2. Remove the furnace front door and pull out the furnace safety disconnect (A), from the furnace control panel, (See Figure 1).

3. Disconnect the motor plug (B) from the control panel receptacle.
4. Remove the two screws (C) at the front of the blower housing then slide the blower forward and remove it from the furnace.
5. Install the air conditioning or heat pump relay control kit. See the Installation Instructions supplied with the individual kits for details of installation, wiring and blower speed selection procedures, (See Figure 2).
6. Slide the new blower into the furnace in the same manner as the original blower was removed. Be sure the blower mounting plate flanges engage with the tabs (D) at both sides and at the rear.
7. Replace the two screws (C) which were removed in step 4.
8. Reinstall the safety disconnect (A) and the furnace front door. Turn on the furnace supply circuit(s).

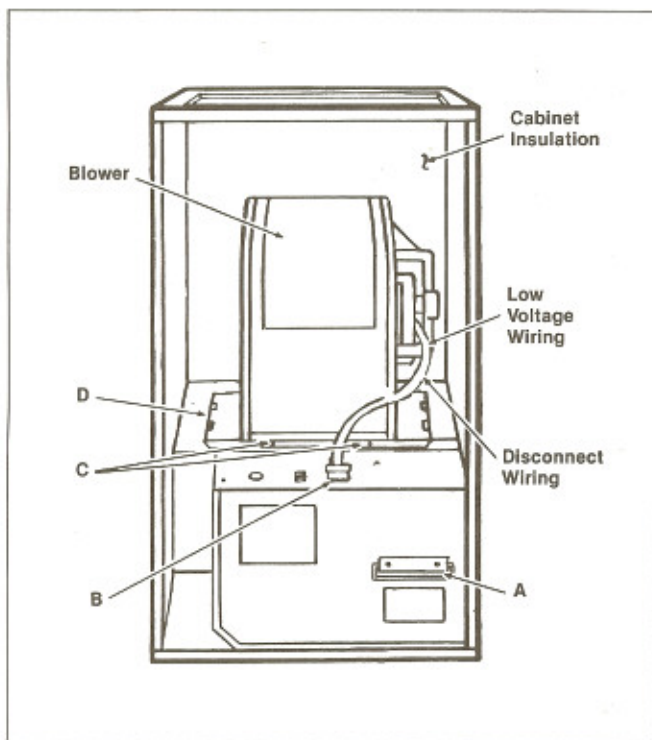


Figure 1. Furnace with the front panel removed.

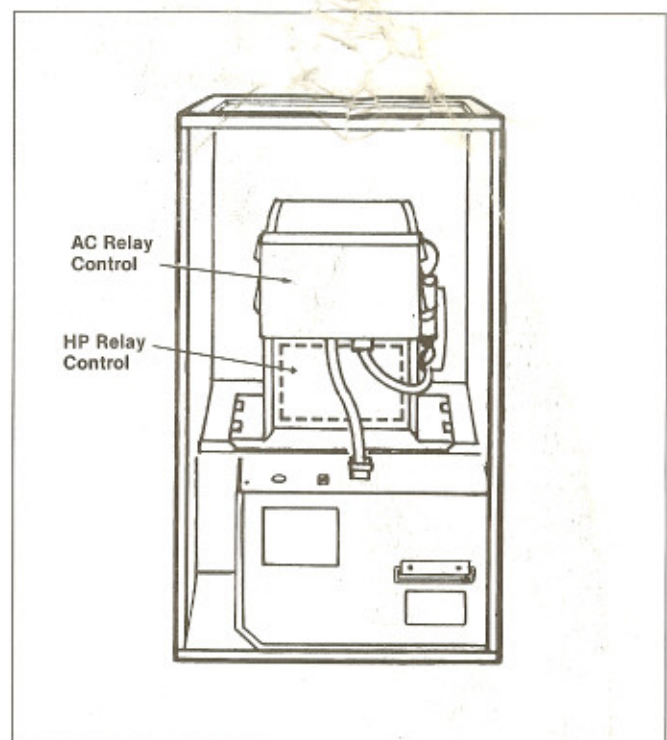
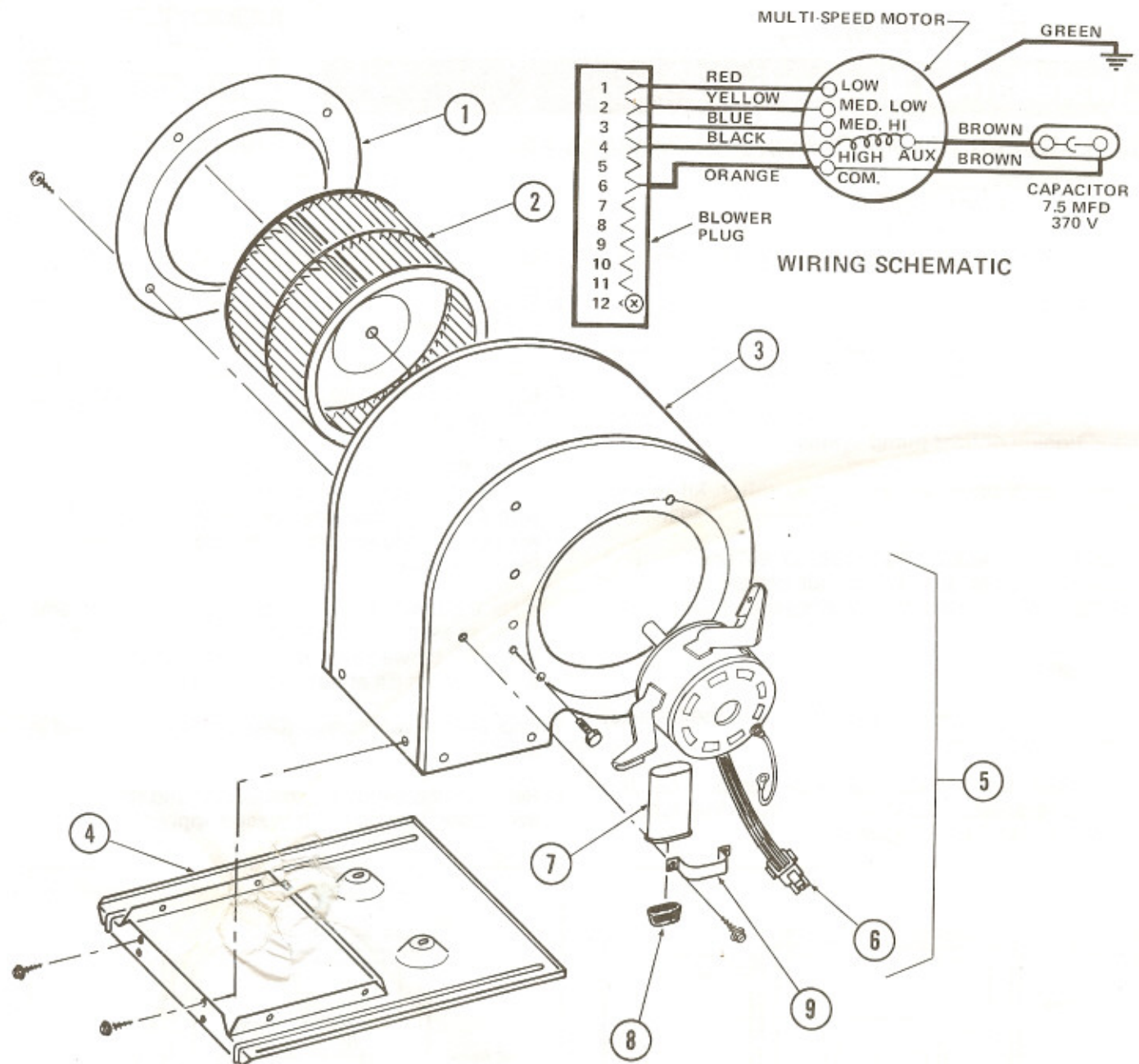


Figure 2. Furnace with the relay control installed.

These instructions are primarily intended to assist qualified individuals experienced in the proper installation of heating and/or air conditioning appliances. Some local codes require licensed installation/service personnel for this type of equipment. Read all instructions carefully before starting the installation.



### Replacement Parts List

Ref. No.	Spec. No.	Part Description
1.	311220-	Plate, $\phi$ Ice
2.	667037-	Wheel, Air Circulator
3.	431930-	Housing, Air Circulator
4.	431510-	Plate, Support
5.	901838-	Motor, No. 620810- Complete (Includes Item 6)

Ref. No.	Spec. No.	Part Description
6.	631756-	Connector, Plug (12 Pin)
7.	620271-	Capacitor 7.5/370
8.	631330-	Boot, Capacitor
9.	118380-	Strap, Capacitor

7067870 0791 (Replaces 7063551 0288)

St. Louis, MO

**NORDYNE**

Before purchasing this appliance, read important energy cost and efficiency information available from your retailer. Specifications and illustrations subject to change without notice and without incurring obligations. Printed in U.S.A.