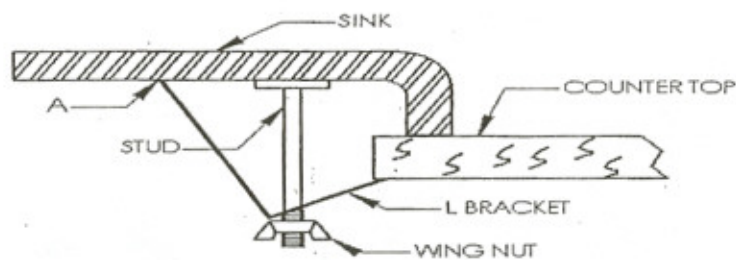


Better Bath Components

RV Sink Installation

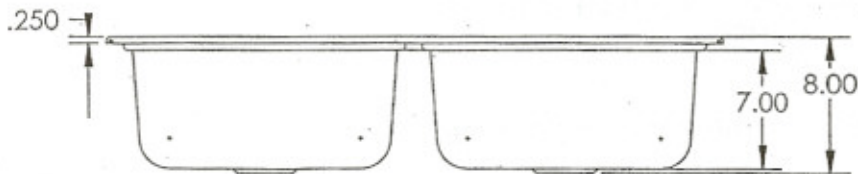
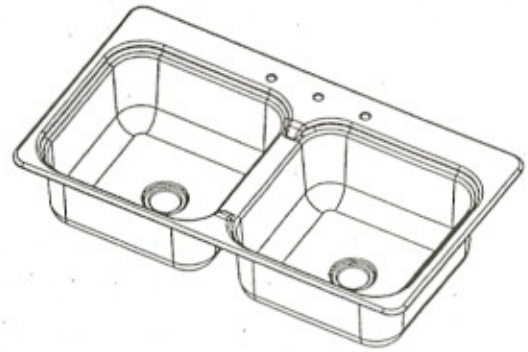
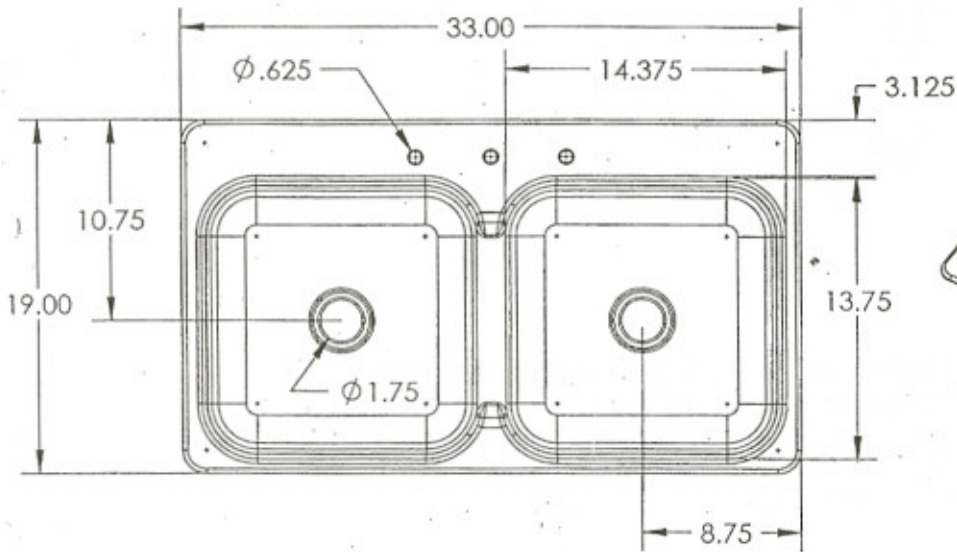
Instructions



1. Cut hole in counter top 1/2" or 5/8" smaller than overall length and width of sink.
2. Center sink in hole on counter top.
3. Slip "L" bracket over studs, lightly tighten wing nut.
4. Make sure "L" bracket is on the sink and not the stud plate (See Fig. A).
5. Working in a clockwise manner, firmly tighten all wing nuts (DO NOT OVERTIGHTEN WING NUTS, THIS CAN CAUSE STUD TO BREAK LOOSE FROM SINK).
6. 100% silicone is recommended for sealing kitchen sinks.



Better Bath COMPONENTS



33x19 Sink