

# INSTALLATION INSTRUCTIONS

## HOT SURFACE IGNITION WITH REMOTE SENSING BURNER

### IMPORTANT NOTICE

These instructions are intended for the use of qualified individuals specially trained and experienced in installation of this type of equipment and related system components.

Installation and service personnel are required by some states to be licensed.

**Persons not qualified shall not install this equipment or interpret these instructions.**

### WARNING

The words "Should" or "May" indicate a recommendation or advice which is not essential and not required but which may be useful or helpful.

### DANGER

#### SHOCK HAZARD

**DISCONNECT ELECTRICAL POWER SUPPLY TO THE UNIT BEFORE SERVICING TO AVOID THE POSSIBILITY OF SHOCK INJURY OR DAMAGE TO THE EQUIPMENT.**

**THE USE OF OTHER COMPONENTS NOT TESTED IN COMBINATION WITH THESE UNITS MAY MAKE THE EQUIPMENT IN VIOLATION OF STATE CODES, MAY CREATE A HAZARD AND MAY RUIN THE EQUIPMENT.**

**CAREFULLY FOLLOW ALL INSTRUCTIONS AND WARNINGS PROVIDED TO AVOID DAMAGE TO THE EQUIPMENT, PERSONAL INJURY, OR FIRE.**

### APPLICATION

This kit is used to convert 7900 Series and DGAT Series gas furnaces with direct sense hot surface ignition systems to remote sensing.

### WARNING

**THIS KIT IS NOT INTENDED TO BE USED TO CONVERT ANY MODEL FURNACES THAN THOSE LISTED ABOVE.**

## INSTALLATION

### DANGER

**SHUT OFF ELECTRICAL SUPPLY TO FURNACE AT HOUSEHOLD BREAKER BOX TO PREVENT ELECTRICAL SHOCK, SEVERE PERSONAL INJURY, OR DEATH**

**Turn off gas to the furnace at the supply line gas cock and the furnace gas valve.**

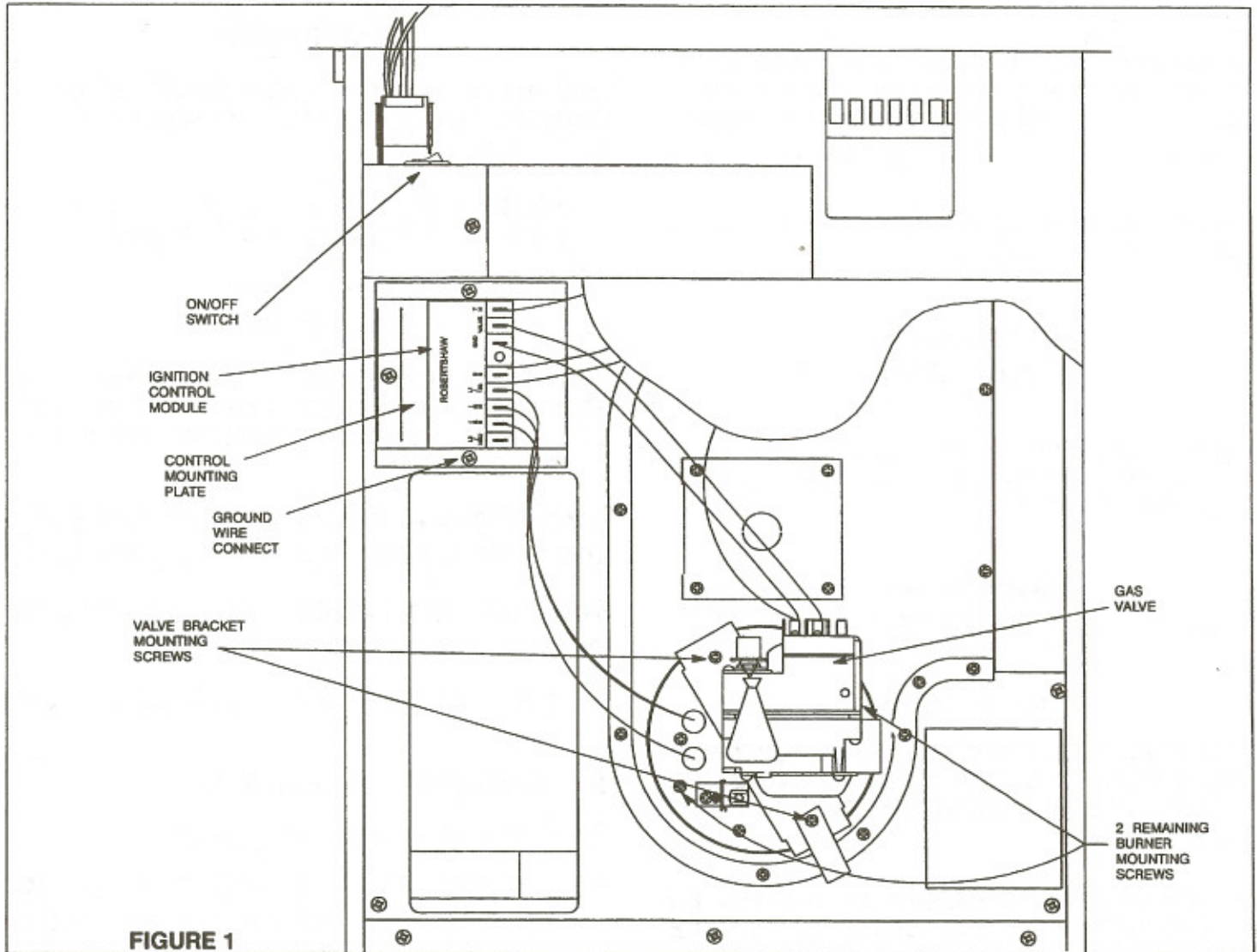
**Set the thermostat to the lowest temperature setting.**

1. Remove the front panels of the furnace.
2. Turn system switch **OFF**.
3. Remove wires from gas valve
4. Remove the 2 screws holding the valve bracket. Pull the gas valve out of the burner support.
5. Disconnect wires leading to Hot Surface Ignitor.
6. Remove the 2 remaining mounting screws from the burner support. Pull burner out of the furnace. See Figure 1.
7. Install the new burner using the above steps in reverse. See Figure 2.

8. Rewire the new ignition module, as shown in Figure 3.
9. Reinstall gas valve and rewire.
10. Turn on gas to the furnace at the supply line gas cock and the furnace gas

valve. Check that there are no gas leaks.

11. To light furnace—follow lighting instructions on the label affixed to the inside of the lower panel.



### NOTE

If furnace is currently Hot Surface with Direct Ignition Sensing (through the ignitor), the ignition module must be replaced with:  
 Evcon Part Number — 1474-0061/A, Robertshaw Ignition Module for Remote Sensing.

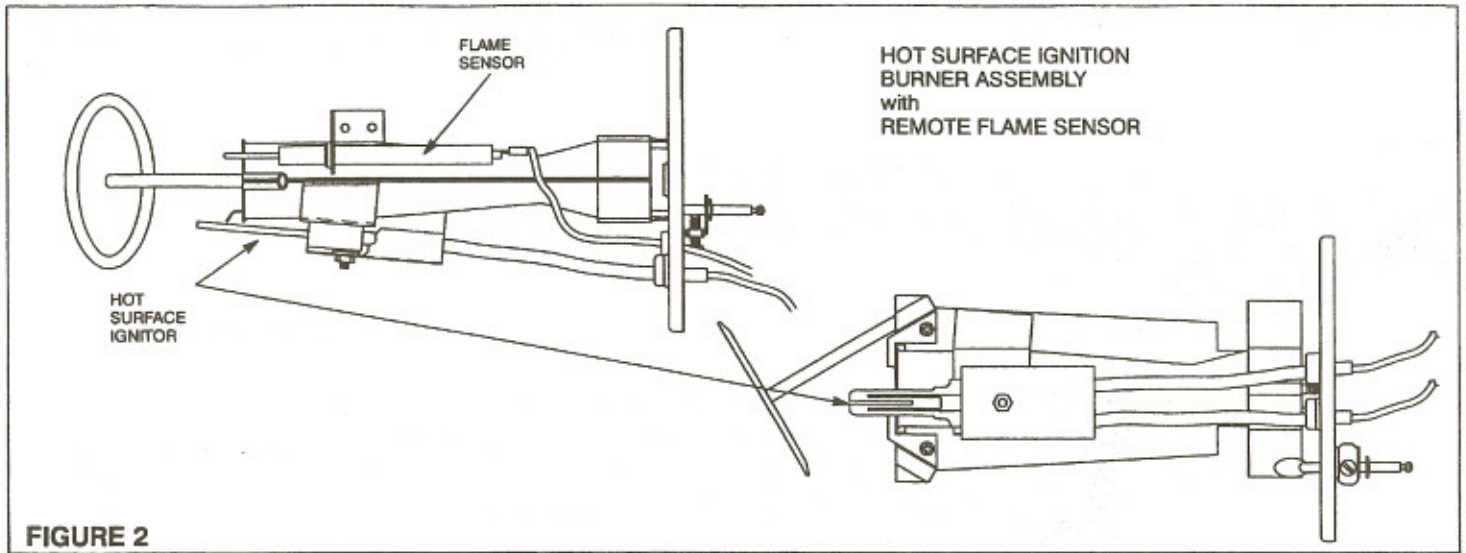


FIGURE 2

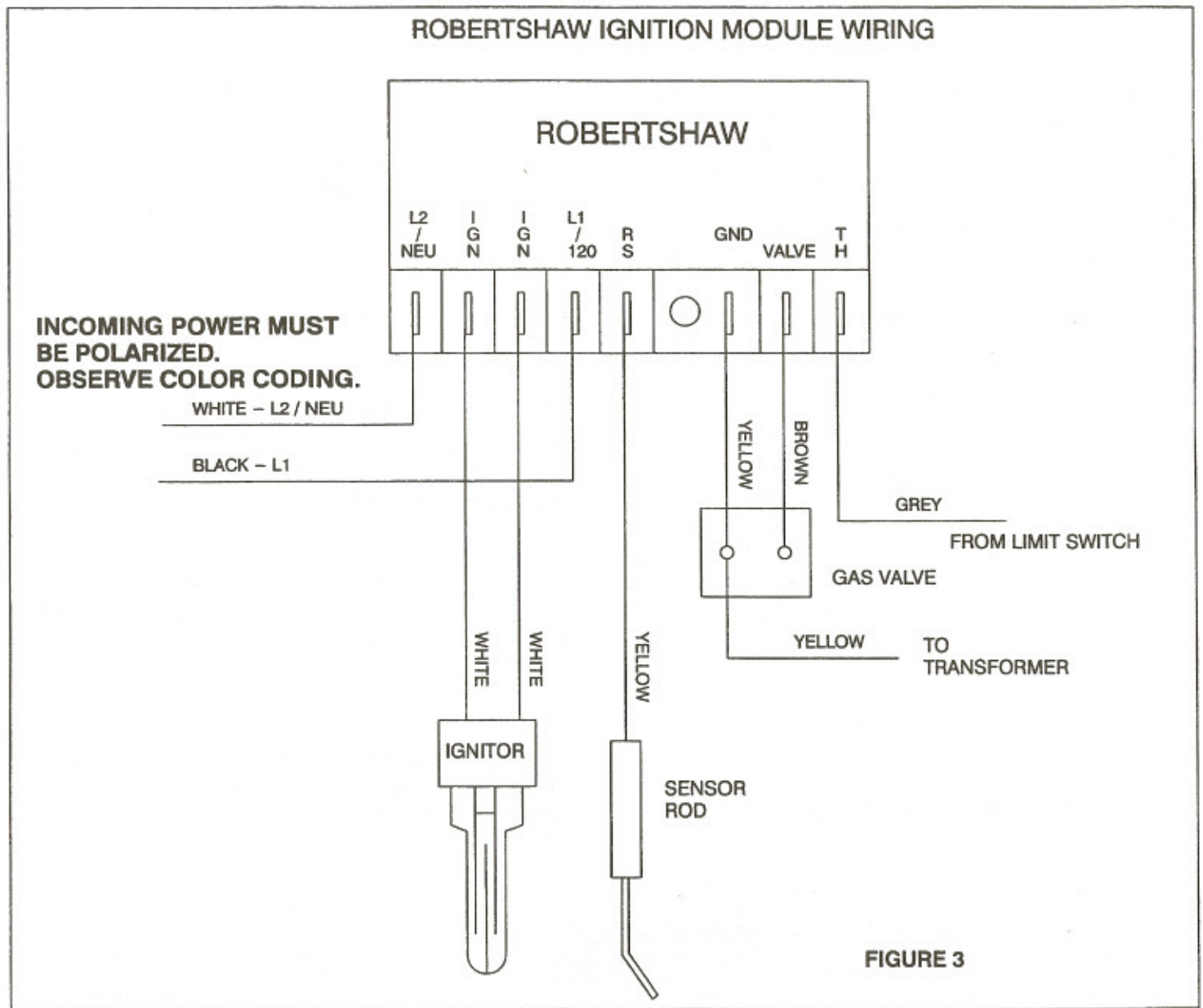


FIGURE 3