

# ACCESSORY KIT INSTALLATION INSTRUCTIONS

## 4000-6941/C CROWN ASSEMBLY

### APPLICATION

This 4000-6941/C Crown Assembly is for use with the following roof jacks:

- 4000-8161/C
- 4000-8181/C
- 4000-9161/A
- 4000-9181/A

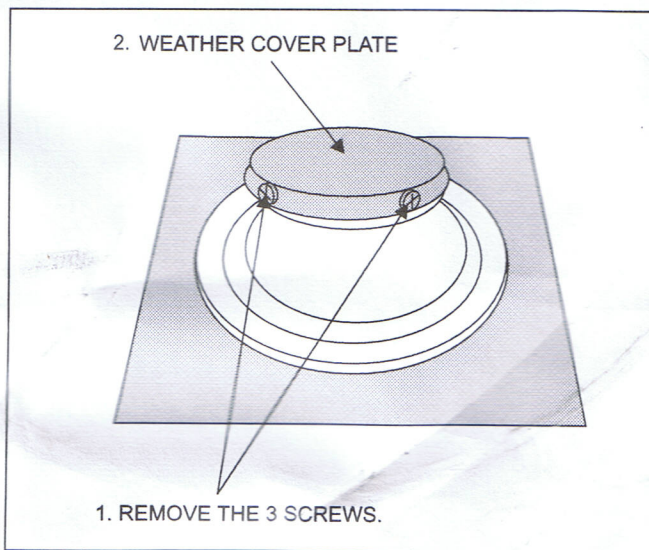


FIGURE 1

### PROCEDURE

1. Remove the (3) three screws securing the weather cover plate to the top of the Roof Jack. Save screws for later use. See Figure 1.
2. Remove the weather cover plate.
3. Slide the Crown Assembly over the Roof Jack, engaging both the flue and combustion air pipes.
4. Align the (3) three pre-punched holes in the Crown Assembly with the (3) three holes in the Roof Jack. See Figure 2. Secure the Crown Assembly to the

Roof Jack with the (3) three screws that secured the weather cover plate. See Figure 2.

5. Remove the warning tags from the fuel supply connections of the home, the furnace and the furnace thermostat. These tags warn of the possible hazards that may occur if the Roof Jack Crown Assembly is not attached to the Roof Jack.

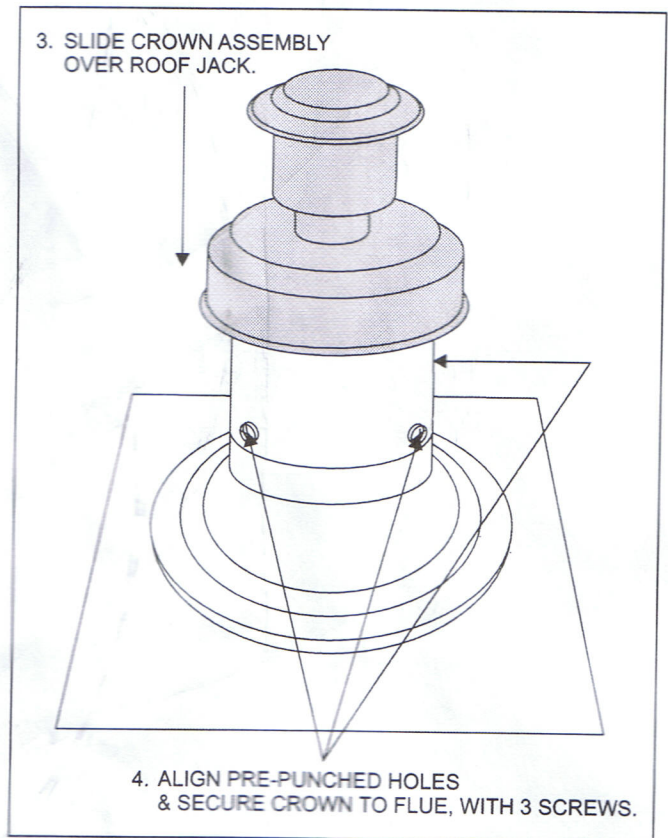


FIGURE 2

6. Place these instructions in the Customer Envelope provided with the furnace.