

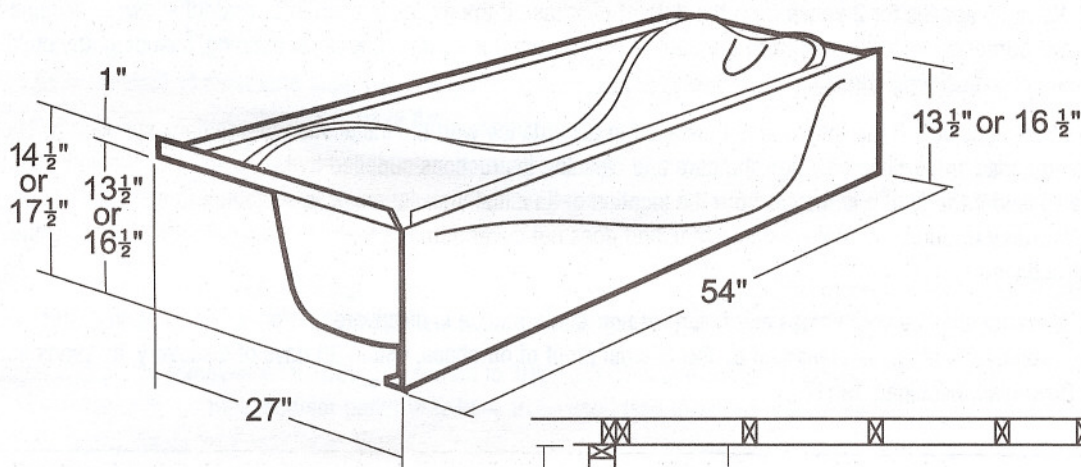
Lyons Classic

INSTALLATION INSTRUCTIONS



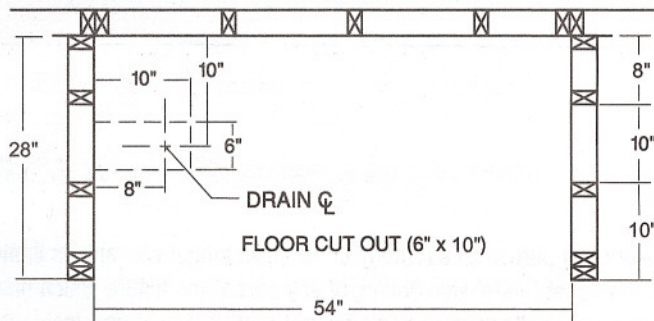
TESTED & CERTIFIED TO
STANDARD CAN/CSA-B45
ANSI Z124.1-1995

BATHTUB (LCTU 2754) ROUGH-IN DIMENSIONS (LEFT HAND DRAIN) REVERSE LAYOUT FOR RIGHT HAND DRAINS
BATHTUB (LCT 2754) ROUGH-IN DIMENSIONS (LEFT HAND DRAIN) REVERSE LAYOUT FOR RIGHT HAND DRAINS



TOOLS/SUPPLIES REQUIRED

Level	3/16" Drill Bit
Tape Measure	Saber Saw
Pencil	Hammer
Drill	Screws



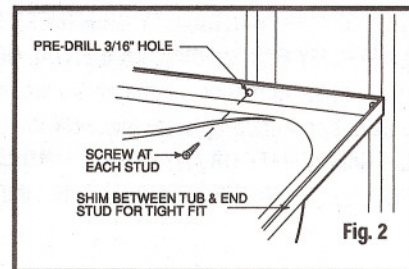
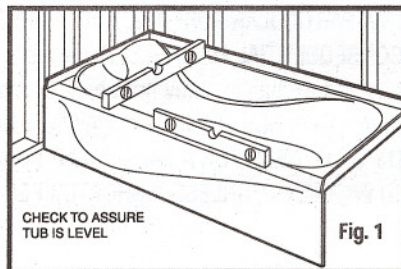
IMPORTANT - READ INSTALLATION INSTRUCTIONS CAREFULLY BEFORE STARTING PROJECT

1. PREPARING ALCOVE

- Tub stud pocket should be constructed as shown above. If the stud pocket is lined with drywall, the finished inside dimensions must be as shown.
- Floor must be clean smooth and level (check with level). Sub floor must be installed. Do not install tub on open floor joists.
- Cut hole in sub floor, as shown above, to accommodate drain.
- Optional: If floor is not level, floor leveling compound (smooth mortar) or a similar quick setting compound specifically made for leveling floors is an excellent way to fully support and level tub.

2. INSTALLING TUB

- Trial fit tub in prepared alcove. With tub sitting flat on floor, check with level on top of tub. Tub should be level from front-to-back and side-to-side. If tub is not level, remove tub, cut out section of sub floor on which tub rests and shim between joists and sub floor to level tub. DO NOT shim between tub and sub floor (Fig. 1).
- After tub is leveled, drill 3/16" hole in tub flange at each stud. If alcove is larger than tub, shim between tub and studs to create a tight fit. Screw tub flange to studs.
- IMPORTANT-** Tub flange must be pre-drilled before screwing tub to studs, failure to do so will void warranty (Fig. 2).
- Overflow is not drilled. If needed use 2 3/8" hole saw. Center hole on dimple.



3. CLEANING

- Do not use any abrasive cleaners or metal scrapers. If plaster gets on your tub, it may be carefully removed with a wooden scraper made from a piece of scrap wood. Adhesive may be removed with mineral spirits. Ideal cleaners are Top Job®, 409®, Soft Scrub Gel® or Comet Gel®.
- WARNING:** Some cleaning products are not suitable for use. Read all labels carefully. DO NOT USE if they say "not suitable for use with ABS, acrylic or polystyrene".

LYONS CLASSIC BATHING FIXTURE LIMITED WARRANTY

Lyons Industries, Inc. ("Lyons") warrants to the original purchaser of this Lyons Classic bathing fixture that will be free of manufacturing defects which affect its performance as a bathing or showering fixture, under the following conditions and subject to the limitations contained in the "Remedies" and "Warranty Limitations" sections.

This Limited Warranty applies for **3 years** from the date of purchase if the fixture is used in a residential owner occupied building for non-commercial purposes; or for **1 year** from the date of purchase if it is used in any other building, including any building used for rental, commercial or business purposes.

This Limited Warranty is void if the fixture is not installed in accordance with the installation instructions supplied by Lyons, or local building codes and ordinances, or if the care and cleaning instructions supplied by Lyons are not followed. This Limited Warranty is also void if the fixture is moved from the location of its initial installation, or is subjected to accident, abuse or misuse. The Limited Warranty excludes normal wear and tear, and does not cover damage that can be repaired by following the Scratch Removal Instructions.

This Limited Warranty shall be void unless any failure or non-conformance is discovered before the expiration of this warranty, and is reported to Lyons, in writing, accompanied by the original proof of purchase, within 30 days of discovery, to: Lyons Industries, Inc., P.O. Box 88, Dowagiac, Michigan 49047.

REMEDIES

The original purchaser's remedy under this Limited Warranty is limited to the repair, replacement or refund of the purchase price of the fixture, at Lyons' sole option, of any part of the fixture which has failed or does not conform to the manufacturer's specifications. In no event shall Lyons be liable for lost profits, loss of use, incidental, special or consequential damages, including but not limited to damage to or loss of use of the building or its contents, arising out of any defect in the fixture; nor shall Lyons be liable for any amount in excess of the original purchase price of the fixture. Lyons reserves the right to require the return, at purchaser's expense, of the damaged fixture for repair or exchange before providing services under this Limited Warranty. If Lyons elects to replace the fixture, its obligation is limited to supplying a replacement unit or component part of comparable size and style, and does not include the cost of removal, installation or transportation, which must be borne by the purchaser. Replacement parts provided under this Limited Warranty are warranted for the remainder of the original warranty period applicable to the fixture, as if such parts were original components of that fixture.

WARRANTY LIMITATIONS

THERE ARE NO WARRANTIES WHICH EXTEND BEYOND THE DESCRIPTION ON THE FACE HEREOF. IMPLIED WARRANTIES, INCLUDING THOSE OF MERCHANTABILITY OR FITNESS FOR A PARTICULAR PURPOSE, ARE EXPRESSLY DISCLAIMED. LYONS DISCLAIMS ANY AND ALL LIABILITY FOR SPECIAL, INCIDENTAL OR CONSEQUENTIAL DAMAGES. Some states do not allow limitations of incidental or consequential damages, so the above limitations and exclusions may not apply to you. In such states, Lyons' liability shall be limited to the extent permitted by state law. ANY IMPLIED WARRANTIES ARISING BY WAY OF STATE LAW, INCLUDING ANY IMPLIED WARRANTY OF MERCHANTABILITY OR ANY IMPLIED WARRANTY OF FITNESS FOR A PARTICULAR PURPOSE, ARE LIMITED IN DURATION AND IN SCOPE OF COVERAGE TO THE TERMS OF THIS LIMITED WARRANTY, UNLESS A SHORTER PERIOD IS ALLOWED BY LAW.

SCRATCH REMOVAL

1. For effective scratch removal and polishing, you will need to purchase these items.

- 1 sheet 1000 grit 3M® wet-dry sandpaper
- 1 sheet 1500 grit 3M® wet-dry sandpaper
- 1 sheet 2000 grit 3M® wet-dry sandpaper
- 1 small container of 3M® rubbing compound #05933

These items can be purchased at most auto supply stores that provide supplies to professional paint and body shops. Call before you go. Not all auto supply stores will have these items.

- 2.** Start sanding with the 2000 grit paper. Use small squares of paper about 2" x 2" for all sanding and use lots of water. The water serves as both a lubricant and to prevent residue buildup on the paper. Residue buildup shortens the effective life of the paper and may scratch the surface you're trying to polish.
- 3.** 2000 grit paper is the finest grit available (the higher the number, the finer the grit). If you can't remove all of the scratches with 2000 grit, switch to 1500 grit. Remember to wash the paper frequently with water as you sand.
- 4.** If all of the scratches can't be removed with 1500 grit, switch to 1000 grit. This should remove most fine scratches. If you have deep scratches or a gouge, coarser paper may have to be used (see chart below). Be careful! Using a grit that is too coarse may actually put in more scratches than it removes.
- 5.** Once you've removed all of the scratches, by sanding with the finest paper possible, repeat the sanding process using successively finer grits of paper until you've once again sanded with 2000 grit.
- 6.** Now use 3M® rubbing compound #05933 on a soft, damp cloth. Polish using considerable pressure to produce a smooth, shiny finish.

SANDPAPER GUIDE				
SCRATCH DEPTH	2000	1500	1000	600
DEEP GOUGE	X	X	X	X
MEDIUM	X	X	X	
LIGHT	X	X		
SUPERFICIAL	X			